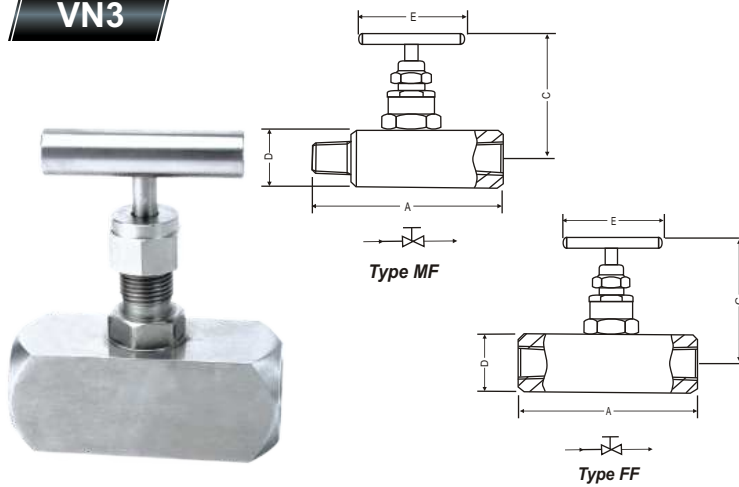


NEEDLE VALVE

VN3

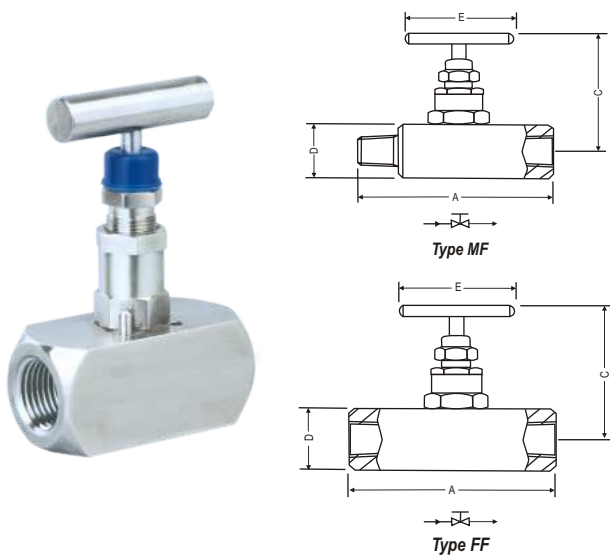


Size	Type	Length A	Width D	Ht open C	Ht closed C	Handle E
1/8"	FxF	50	22	56	54	40
	MxF	56	22	56	54	40
	MxM	60	22	56	54	40
1/4"	FxF	55	22	56	54	40
	MxF	65	22	56	54	40
	MxM	60	22	56	54	40

All dimensions are in mm

* Working Pressure : 3000 psi

VN6



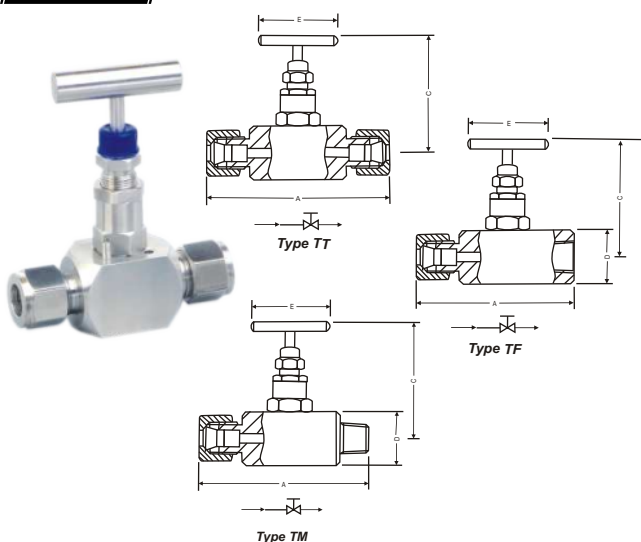
Size	Type	Length A	Width D	Ht open C	Ht closed C	Handle E
1/4"	FxF	55	25	63	60.5	40
	MxF	65	25	63	60.5	40
	MxM	60	25	63	60.5	40
3/8"	FxF	55	25	63	60.5	40
	MxF	65	25	63	60.5	40
	MxM	65	25	63	60.5	40
1/2"	FxF	65	32	83.6	79.6	50
	MxF	75	32	83.6	79.6	50
	MxM	70	32	83.6	79.6	50
3/4"	FxF	70	38	88.6	82.6	50
	MxF	75	38	88.6	82.6	50
	MxM	80	38	83.6	79.6	50
1"	FxF	90	45	101	96	50
	MxF	105	45	101	96	50
	MxM	105	45	101	96	50

All dimensions are in mm

* Working Pressure : 6000 psi

Note : Model VN6, is also available in High Pressure of 10,000 psi and 20,000 psi upon request.

VC6



Type	Length A	Width D	Ht open C	Ht closed C	Handle E
6M x 6M	65	25	63	60.5	40
8M x 8M	65	25	63	60.5	40
10M x 10M	65	25	63	60.5	40
12M x 12M	65	32	83.6	79.6	50
1/4" OD x 1/4" NPTF	65	25	63	60.5	40
3/8" OD x 3/8" NPTF	65	25	63	60.5	40
1/2" OD x 1/2" NPTF	65	32	83.6	79.6	50
1/4" OD or 6M x 1/4" NPTM	65	25	63	60.5	40
8m x 1/4" NPTM	65	25	63	60.5	40
3/8" OD or 10M x 3/8" NPTM	65	25	63	60.5	40
1/2" OD or 12M x 1/2" NPTM	72	32	83.6	79.6	50

All dimensions are in mm, base on finger tight position.

* Working Pressure : 6000 psi

[Redacted Header]						

[Redacted Header]								

[Redacted Header]								

[Redacted Header]										