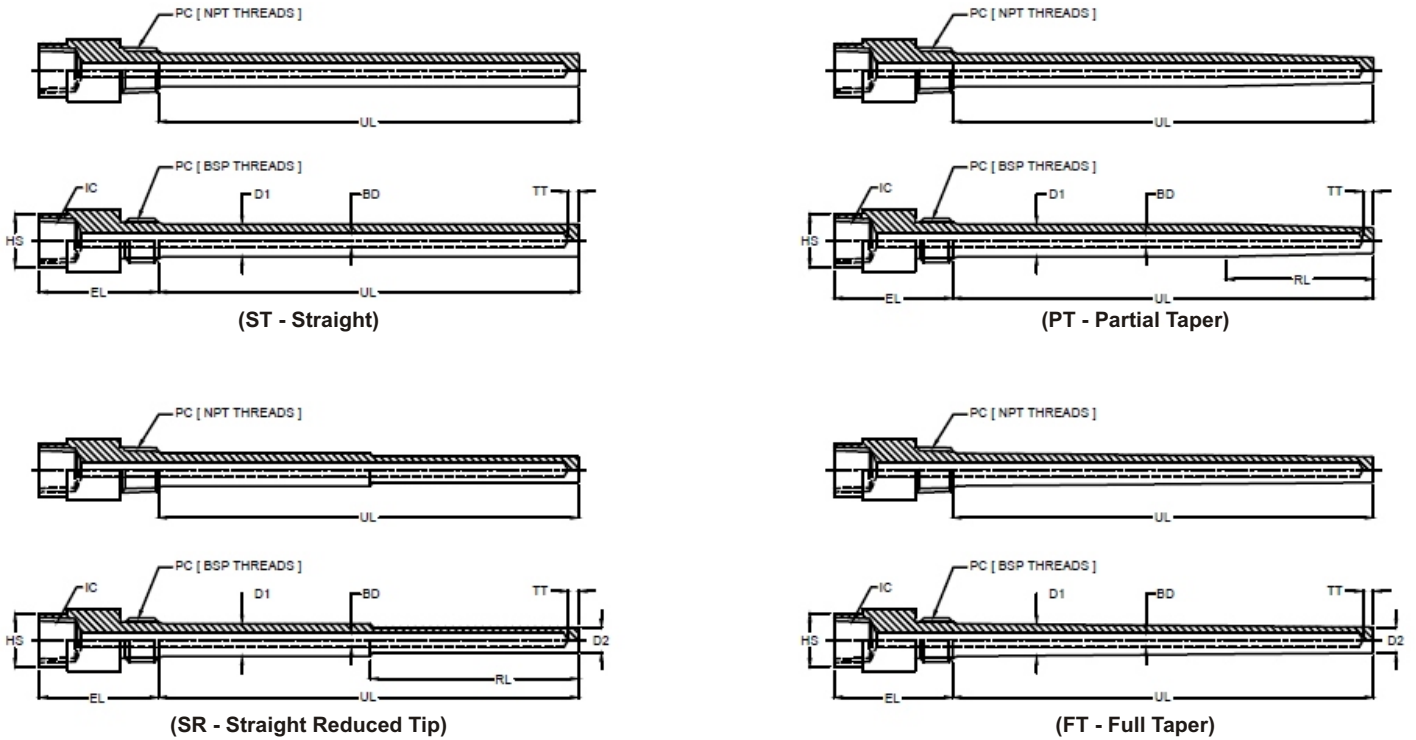


Special Features :

- Design as per PTC 19.3.
- These Thermowells are manufactured from solid bar stock and installed into the process with the process with the help of threaded process connection.
- The design is suitable for all type of RTD's, Thermocouples, Mechanical as well as digital Thermometers.
- Available in various shapes like Straight, Straight with reduced tip, partial taper & full taper.

Thermowell Drawings :



Note: Drawings are not to scale. All Dimensions are in mm.

HS - Finished Head Size
 IC - Instrument Connection
 PC - Process Connection
 BD - Bore Diameter

TT - Tip Thickness
 D1 - Major Diameter
 D2 - Minor Diameter
 EL - Extension Length

UL - Insertion Length
 RL - Reduced Tip Length
 LT - Taper Length

SELECTION OF MODEL

(1) MODEL CODE

(2) TYPE

Straight	ST
Straight Reduced Tip	SR

Partial Taper	PT
Full Taper	FT

(3) MATERIAL

Carbon Steel	CS
AISI 304 SS	S4
AISI 316 SS	S6
AISI 316L SS	S6L

AISI 321 SSI	S21
AISI 310 SS	S10
Hastelloy C	HT
Monel	MN

Inconel 625	IN
Brass	BR
Titanium	TI
Nickel	NI



TW1

ST

S6

Note: Other Materials are available on Request.

SELECTION OF MODEL

(4) INSTRUMENT CONNECTION "IC"

3/8" BSP(F)	3BF
3/8" NPT(F)	3NF
3/8" R(F)	3RF
3/8" G(F)	3GF
1/2" BSP(F)	4BF
1/2"NPT(F)	4NF

1/2" G(F)	4GF
1/2" R(F)	4RF
3/4" BSP(F)	5BF
3/4" NPT(F)	5NF
3/4" G(F)	5GF

3/4" R(F)	5RF
1" BSP(F)	6BF
1" NPT(F)	6NF
1" G(F)	6GF
1" R(F)	6RF

M18 x 1.5(F)	3MF
M20 x 1.5(F)	4MF
M22 x 1.5(F)	5MF
M24 x 1.5(F)	6MF
M27 x 1.5(F)	7MF
M33 x 1.5(F)	9MF

Note: Other Connections are available on Request.

(5) PROCESS CONNECTION "PC"

3/8" BSP(M)	3BM
3/8" NPT(M)	3NM
3/8" R(M)	3RM
3/8" G(M)	3GM
1/2" BSP(M)	4BM
1/2"NPT(M)	4NM

1/2" G(M)	4GM
1/2" R(M)	4RM
3/4" BSP(M)	5BM
3/4" NPT(M)	5NM
3/4" G(M)	5GM

3/4" R(M)	5RM
1" BSP(M)	6BM
1" NPT(M)	6NM
1" G(M)	6GM
1" R(M)	6RM

M18 x 1.5(M)	3MM
M20 x 1.5(M)	4MM
M22 x 1.5(M)	5MM
M24 x 1.5(M)	6MM
M27 x 1.5(M)	7MM
M33 x 1.5(M)	9MM

Note: Other Connections are available on Request.

(6) FINISHED HEAD SIZE "HS"

PLEASE SPECIFY IN mm

e.g. : For 28mm Finished head size, Specify HS28

(7) TYPE OF HEAD

Hex Headed	HH
Round Headed with Spanner Slots*	RS
Round Headed	RH

* Not Applicable for option BR.

(8) EXTENSION / LAGGING LENGTH "EL"

EL50 (Standard)

e.g. : For length 50mm, mention EL50.

(9) BORE DIAMETER "BD"

PLEASE SPECIFY IN mm

e.g. : For length 9mm, mention BD9.

Note: Refer Thermowell design procedure for dimension as per PTC 19.3

(10) MAJOR DIAMETER

ST	RT	PT
<p>Major Diameter "D1" Please specify in mm e.g. For 22mm mention D122</p>	<p>Major Diameter of Step "D1" Please specify in mm e.g. For 22mm mention D122</p>	<p>Major Diameter of Taper "D1" Please specify in mm e.g. For 22mm mention D122</p>
<p>Major Diameter of Taper "D1" Please specify in mm e.g. For 22mm mention D122</p>	<p>Minor Diameter of Step "D2" Please specify in mm e.g. For 18mm mention D218</p>	<p>Minor Diameter of Taper "D2" Please specify in mm e.g. For 18mm mention D218</p>
<p>Minor Diameter of Taper "D2" Please specify in mm e.g. For 18mm mention D218</p>	<p>Length of Step "RL" Please specify in mm e.g. For 100mm step length from tip, specify RL100</p>	<p>Length of Step "TL" Please specify in mm e.g. For taper length from tip of 150mm, specify TL150</p>

Note: Refer Thermowell design procedure for dimension as per PTC 19.3

(11) TIP THICKNESS "TT"

TT5 (Standard)

e.g. : For Tip Thickness 5mm, specify TT5.

4NF

4NM

HS28

HH

EL50

BD9

XX

TT5

SELECTION OF MODEL

(12) INSERTION LENGTH "UL"

PLEASE SPECIFY IN mm

e.g. : For 800mm, mention UL800.

Note: Refer Thermowell design procedure for dimension as per PTC 19.3

(13) OPTIONS

Plug & Chain in SS	CP
SS Tag Plate	TS
Marking by Laser	LM

(14) TESTS & CERTIFICATION

Radiography fo Bore Concentricity	TC1	Wake Frequency Calculations as [per PTC 19.3*	TC7
IBR Certification	TC2	Certification for Hydrogen Service	TC8
Mechanical Test	TC3	Certification for Oxygen Service	TC9
Ultrasonic Test	TC4	Chemical Composition Test	TT1
PMI Test	TC5	3.1B Material Conformity Certificate	TT2
IGC Test	TC6	Conformity as per NACE Standard	TNC

*Please specify Fluid, Max. Pressure, Temperature & Flow velocity for wake frequency calculations as per PTC 19.3.

Example	1	2	3	4	5	6	7	8	9
SELECTION OF MODEL	TW1	ST	S6	4NF	4NM	HS28	HH	EL75	3D9

Example	10	11	12	13	14
SELECTION OF MODEL	XX	TT5	UL800	XX	XX

UL800

XX

XX

NESSTECH INC. INTERNATIONAL SALES DEPARTMENT

1-12-1 Akanehama, Narashino-shi, Chiba
275-0024, JAPAN

PHONE +81-47-453-1182
F A X +81-47-453-0727

NESSTECH INSTRUMENTS PVT. LTD (INDIA)

Survey No. 26/2, "G" Type, Global Industrial Park,
Near Nahuli Railwaycrossing, Village Valvada, Vapi,
Tal Umbergaon, Dist Valsad-396191, Gujrat
TEL: +91-260-299-6920

NESS TECHNOLOGY (M) SDN BHD (MALAYSIA)

No. 42A Jalan PUJ 3/8, Taman Puncak Jalil, Bandar Putra Permai,
43300 Seri Kembangan, Selangor
TEL: +603-8940-1134/8940-1059 FAX: +603-8999-4133