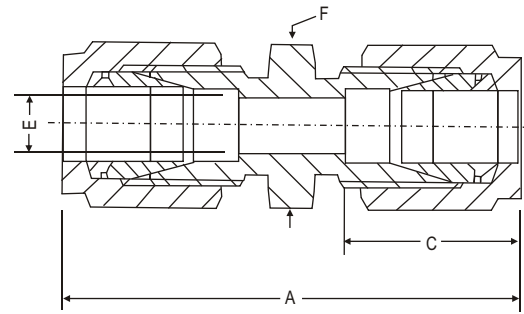


#### UNION - SU



#### Dimensional Details :



Notes : Drawings are not to scale

#### Dimension, in.

Tube OD	Part Number	A	C	E	F
1/8	SU11	1.40	0.50	0.09	7/16
1/4	SU22	1.61	0.60	0.19	1/2
3/8	SU33	1.77	0.66	0.28	5/8
1/2	SU44	2.02	0.90	0.41	13/16
3/4	SU55	2.11	0.96	0.62	1 1/16
1	SU77	2.55	1.23	0.88	1 3/8

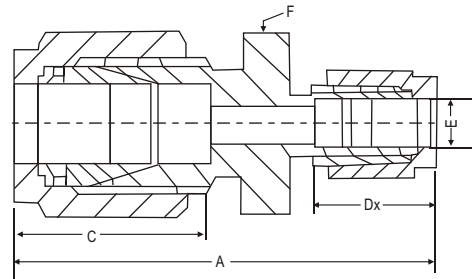
#### Dimension, mm.

Tube OD	Part Number	A	C	E	F
6	SU6M6	41.0	15.3	4.8	12.7
8	SU8M8	43.2	16.2	6.4	14.0
10	SU10M10	46.2	17.2	7.9	15.8
12	SU12M12	51.2	22.8	9.5	22.0
16	SU16M16	52.0	24.4	12.7	24.0
18	SU18M18	53.5	24.4	15.1	27.0
20	SU20M20	55.0	26.0	15.9	30.0
25	SU25M25	65.0	31.3	21.8	35.0

#### REDUCING UNION - RU



#### Dimensional Details :



Notes : Drawings are not to scale

#### Dimension, in.

Tube OD	Tube OD	Part Number	A	C	Dx	E	F
1/4	1/8	RU21	1.52	0.60	0.50	0.09	1/2
3/8	1/8	RU31	1.61	0.66	0.50	0.09	5/8
3/8	1/4	RU32	1.70	0.66	0.60	0.19	5/8
1/2	1/8	RU41	1.78	0.90	0.50	0.09	13/16
1/2	1/4	RU42	1.85	0.90	0.60	0.19	13/16
1/2	3/8	RU43	1.91	0.90	0.66	0.28	13/16
3/4	1/4	RU52	1.94	0.96	0.60	0.19	1 1/16
3/4	3/8	RU53	2.00	0.96	0.66	0.28	1 1/16
3/4	1/2	RU54	2.11	0.96	0.90	0.41	1 1/16
1	1/2	RU74	2.38	1.23	0.90	0.41	1 3/8
1	3/4	RU75	2.38	1.23	0.96	0.62	1 3/8

#### Dimension, mm.

Tube OD	Tube OD	Part Number	A	C	Dx	E	F
8	6	RU8M6	42.3	16.2	15.3	4.8	14
10	6	RU10M6	44.5	17.2	15.3	4.8	17
10	8	RU10M8	45.1	17.2	16.2	6.4	17
12	6	RU12M6	47.0	22.8	15.3	4.8	22
12	8	RU12M8	47.8	22.8	16.2	6.4	22
12	10	RU12M10	48.7	22.8	17.2	7.9	22
16	10	RU16M10	45.9	24.4	17.2	7.9	24
16	12	RU16M12	52.0	24.4	22.8	9.5	24
18	12	RU18M12	53.5	24.4	22.8	9.5	27
25	18	RU25M18	61.0	31.3	24.4	15.1	35
25	20	RU25M20	62.3	31.3	26.0	15.9	35

Dimensions and specifications shown are approximate, may vary from time to time

Note : A and C dimensions are typical finger-tight