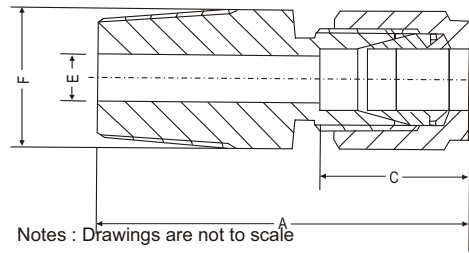


MALE CONNECTOR - MCS



Dimensional Details :



Notes : Drawings are not to scale

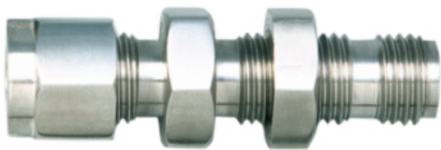
Dimension, in.

Tube OD	NPT Male Thread Size	Part Number	A	C	E	F
1/8	1/8	MCS11N	1.20	0.50	0.09	7/16
1/8	1/4	MCS12N	1.40	0.50	0.09	9/16
1/4	1/8	MCS21N	1.29	0.60	0.19	1/2
1/4	1/4	MCS22N	1.49	0.60	0.19	9/16
1/4	3/8	MCS23N	1.51	0.60	0.19	11/16
1/4	1/2	MCS24N	1.76	0.60	0.19	7/8
1/4	3/4	MCS25N	1.82	0.60	0.19	1 1/16
3/8	1/4	MCS32N	1.57	0.66	0.28	5/8
3/8	3/8	MCS33N	1.57	0.66	0.28	11/16
3/8	1/2	MCS34N	1.82	0.66	0.28	7/8
3/8	3/4	MCS35N	1.88	0.66	0.28	1 1/16
1/2	1/4	MCS42N	1.71	0.90	0.28	13/16
1/2	3/8	MCS43N	1.71	0.90	0.38	13/16
1/2	1/2	MCS44N	1.93	0.90	0.41	7/8
1/2	3/4	MCS35N	1.99	0.90	0.41	1 1/16
1/2	1	MCS47N	2.25	0.90	0.41	1 3/8
3/4	1/2	MCS54N	1.99	0.96	0.47	1 1/16
3/4	3/4	MCS55N	1.99	0.96	0.62	1 1/16
3/4	1	MCS57N	2.25	0.96	0.62	1 3/8
1	1/2	MCS74N	2.26	1.23	0.47	1 3/8
1	3/4	MCS75N	2.26	1.23	0.62	1 3/8
1	1	MCS77N	2.45	1.23	0.88	1 3/8

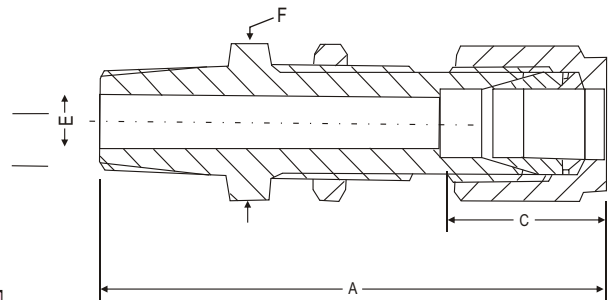
Dimension, mm.

Tube OD	NPT Male Thread Size	Part Number	A	C	E	F
6	1/8	MCS6M1N	32.8	15.3	4.8	14
6	1/4	MCS6M2N	37.9	15.3	4.8	14
6	3/8	MCS6M3N	38.4	15.3	4.8	18
6	1/2	MCS6M4N	44.7	15.3	4.8	22
8	1/8	MCS8M1N	34.2	16.2	4.8	15
8	1/4	MCS8M2N	38.7	16.2	6.4	15
8	3/8	MCS8M3N	39.3	16.2	6.4	18
8	1/2	MCS8M4N	45.6	16.2	6.4	22
10	1/8	MCS10M1N	36.3	17.2	4.8	18
10	1/4	MCS10M2N	40.9	17.2	7.9	18
10	3/8	MCS10M3N	40.9	17.2	7.9	18
10	1/2	MCS10M4N	46.5	17.2	7.9	22
10	3/4	MCS10M5N	48.0	17.2	7.9	27
12	1/8	MCS12M1N	38.8	22.8	4.8	22
12	1/4	MCS12M2N	43.4	22.8	7.1	22
12	3/8	MCS12M3N	43.4	22.8	9.5	22
12	1/2	MCS12M4N	49.0	22.8	9.5	22
12	3/4	MCS12M5N	50.5	22.8	9.5	27
16	3/8	MCS16M3N	44.1	24.4	9.5	24
16	1/2	MCS16M4N	49.0	24.4	11.9	24
16	3/4	MCS16M5N	50.5	24.4	12.7	27
18	1/2	MCS18M4N	50.5	24.4	11.9	27
18	3/4	MCS18M5N	50.5	24.4	15.1	27
20	1/2	MCS20M4N	52.3	26.0	11.9	30
20	3/4	MCS20M5N	52.3	26.0	15.9	30
22	3/4	MCS22M5N	52.3	26.0	15.9	30
22	1	MCS22M7N	57.1	26.0	18.3	35
25	1/2	MCS25M4N	57.5	31.3	11.9	35
25	3/4	MCS25M5N	57.5	31.3	15.9	35
25	1	MCS25M7N	62.3	31.3	21.8	35

BULKHEAD MALE CONNECTOR - BHMC



Dimensional Details :



Notes : Drawings are not to scale

Dimension, in.

Tube OD	NPT Male Thread Size	Part Number	A	C	E	F	Panel Hole Size	Max Panel Thickness
1/8	1/8	BHMC11N	1.83	0.50	0.09	1/2	21/64	0.50
1/4	1/8	BHMC21N	1.95	0.60	0.19	5/8	29/64	0.40
1/4	1/4	BHMC22N	2.13	0.60	0.19	5/8	29/64	0.40
3/8	1/4	BHMC32N	2.26	0.66	0.28	3/4	37/64	0.44
3/8	3/8	BHMC33N	2.26	0.66	0.28	3/4	37/64	0.44
3/8	1/2	BHMC34N	2.51	0.66	0.28	7/8	37/64	0.44
1/2	3/8	BHMC43N	2.49	0.90	0.38	15/16	49/64	0.50
1/2	1/2	BHMC44N	2.71	0.90	0.41	15/16	49/64	0.50
3/4	3/4	BHMC55N	3.00	0.96	0.62	1 3/16	11/64	0.66
1	1	BHMC77N	3.67	1.23	0.88	1 5/8	1 21/64	0.75

Dimension, mm.

Tube OD	NPT Male Thread Size	Part Number	A	C	E	F	Panel Hole Size	Max Panel Thickness
6	1/4	BHMC6M2N	53.6	15.3	4.8	16	11.5	10.2
12	1/2	BHMC12M4N	68.8	22.8	9.5	24	19.5	12.7

Dimensions and specifications shown are approximate, may vary from time to time

Note : A and C dimensions are typical finger-tight