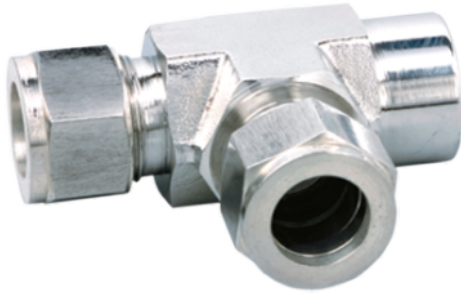


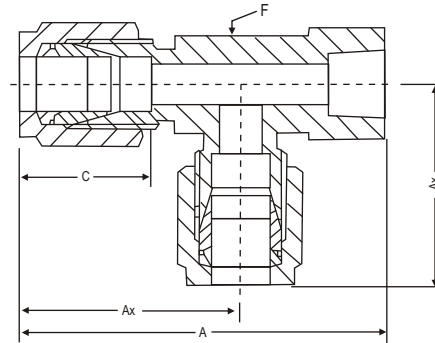
FEMALE RUN TEE - FRT



Dimension, in.

Tube OD	NPT Female Thread Size	Part Number	A	Ax	C	E	F
1/8	1/8	FRT11N	1.72	0.97	0.50	0.09	1/2
1/4	1/8	FRT21N	1.81	1.06	0.60	0.19	1/2
1/4	1/4	FRT22N	2.05	1.17	0.60	0.19	11/16
3/8	1/4	FRT32N	2.11	1.23	0.66	0.28	11/16
1/2	3/8	FRT43N	2.30	1.42	0.90	0.41	13/16
1/2	1/2	FRT44N	2.69	1.57	0.90	0.41	1 1/16
3/4	3/4	FRT55N	3.01	1.76	0.96	0.62	1 3/8
1	3/4	FRT75N	3.18	1.93	1.23	0.88	1 3/8
1	1	FRT77N	3.61	2.11	1.23	0.88	1 11/16

Dimensional Details :



Notes : Drawings are not to scale

Dimension, mm.

Tube OD	NPT Female Thread Size	Part Number	A	Ax	C	E	F in
6	1/8	FRT6M1N	46.0	27.0	15.3	4.8	1/2
6	1/4	FRT6M2N	52.1	29.8	15.3	4.8	1/2
8	1/8	FRT8M1N	48.9	29.9	16.2	6.4	5/8
8	1/4	FRT8M2N	53.0	30.6	16.2	6.4	11/16
10	1/4	FRT10M2N	55.9	33.5	17.2	7.9	13/16
12	1/4	FRT12M2N	58.4	36.0	22.8	9.5	13/16
12	3/8	FRT12M3N	58.4	36.0	22.8	10.3	13/16
16	1/2	FRT16M4N	68.2	39.8	24.4	12.7	1 1/16

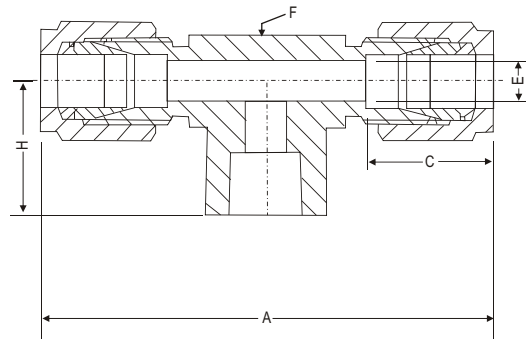
FEMALE BRANCH TEE - FBT



Dimension, in.

Tube OD	NPT Female Thread Size	Part Number	A	C	E	F	H
1/8	1/8	FBT11N	1.94	0.50	0.09	1/2	0.75
1/4	1/8	FBT21N	2.12	0.60	0.19	1/2	0.75
1/4	1/4	FBT22N	2.34	0.60	0.19	11/16	0.88
3/8	1/4	FBT32N	2.46	0.66	0.28	11/16	0.88
3/8	3/8	FBT33N	2.62	0.66	0.28	13/16	0.88
3/8	1/2	FBT34N	2.84	0.66	0.28	1	1.12
1/2	1/4	FBT42N	2.84	0.90	0.41	13/16	0.88
1/2	3/8	FBT43N	2.84	0.90	0.41	13/16	0.88
1/2	1/2	FBT44N	3.06	0.90	0.41	1	1.12
3/4	3/4	FBT55N	3.52	0.96	0.62	1 3/8	1.25
1	3/4	FBT75N	3.86	1.23	0.88	1 3/8	1.25
1	1	FBT77N	4.22	1.23	0.88	1 11/16	1.50

Dimensional Details :



Notes : Drawings are not to scale

Dimension, mm.

Tube OD	NPT Female Thread Size	Part Number	A	C	E	F in	H
6	1/8	FBT6M1N	53.9	15.3	4.8	1/2	19.0
6	1/4	FBT6M2N	59.5	15.3	4.8	11/16	22.4
8	1/8	FBT8M1N	59.7	16.2	6.4	5/8	19.0
8	1/4	FBT8M2N	61.2	16.2	6.4	11/16	22.4
10	1/4	FBT10M2N	67.0	17.2	7.9	13/16	22.4
12	1/4	FBT12M2N	72.0	22.8	9.5	13/16	22.4
12	3/8	FBT12M3N	72.0	22.8	9.5	13/16	22.4
16	1/2	FBT16M4N	77.6	24.4	12.7	1	28.4

Dimensions and specifications shown are approximate, May vary from time to time.

Note : A and C dimensions are typical finger-tight