

NESS

S.S. CASE BRASS PRESSURE GAUGE

CAPSULE TYPE

Model - PX

Special Features :

- Stainless steel case & Ring
- Available Range 25mbar to 600mbar
- Compact Design
- Provision for Zero Adjustment
- Standard followed in general EN 837-3/ IS 3624



Applications :

- Low Pressure draft Measurement
- Food & Beverages
- Pharmaceutical Industries
- Breweries
- Conventional
- Nuclear power plant
- Clean Air & Gaseous
- Low viscous liquid & non corrosive media that will not obstruct the pressure system.

Specifications

STANDARD VERSION : 63mm, 100mm, 125mm, & 150mm

| | |
|---------------------|--|
| Accuracy | : $\pm 1.6\%$ of F.S. |
| Ambient temperature | : -25°C to $+65^{\circ}\text{C}$ |
| Process temperature | : Max. 65°C |
| Operating pressure | : 75% of the Scale Value |

| | |
|----------|------------------------------|
| Case | : AISI 304 SS |
| Ring | : AISI 304 SS (Rolling Type) |
| Capsule | : Copper Alloy |
| Socket | : Copper Alloy |
| Movement | : Copper Alloy |
| Joint | : Tin Soldering |

| | |
|------------|--|
| Protection | : IP 55 |
| Dial | : Aluminium, black graduation on white background with zero adjustment provision |
| Pointer | : Aluminium, black coloured, Fixed |
| Window | : Safety Glass |
| Gasket | : Neoprene |
| Vent Plug | : Neoprene |

Temperature effect:

The variation of indication caused by effects of temperature is to be calculated by below formula;

which is to be added in the specified accuracy while measurement :- Formula :

$\pm 0.06 \times (t_2 - t_1) \%$ of F. S.

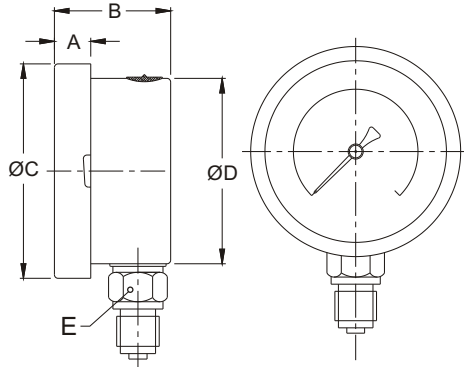
where t_1 = reference temperature ($+20^{\circ}\text{C}$) and t_2 = ambient temperature in $^{\circ}\text{C}$..

DIMENSIONS :- FOR STANDARD MODEL

TYPE 11 TYPE 14 TYPE 31 TYPE 33 TYPE21 TYPE 22 TYPE23

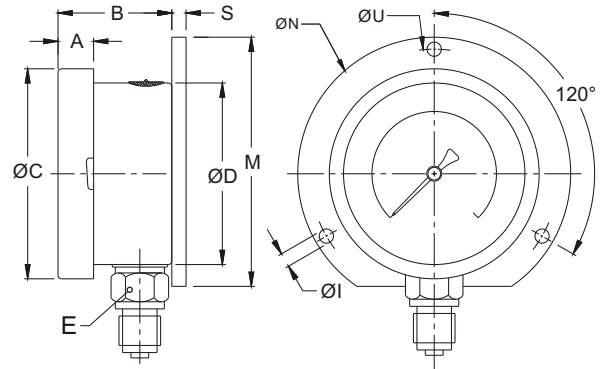
DRAWING OF MODEL (TYPE WISE)

TYPE 11 - DIRECT BOTTOM ENTRY



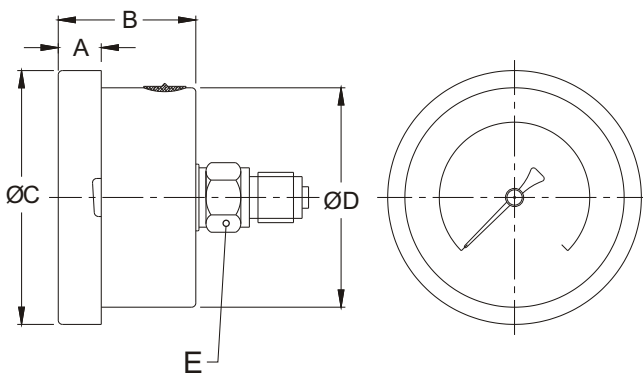
| Size | A | B | ØC | ØD | E |
|------|------|----|------|------|-------|
| 63 | 12.5 | 46 | 77.5 | 66.5 | A/F14 |

TYPE 14 - WALL / SURFACE WITH BOTTOM ENTRY



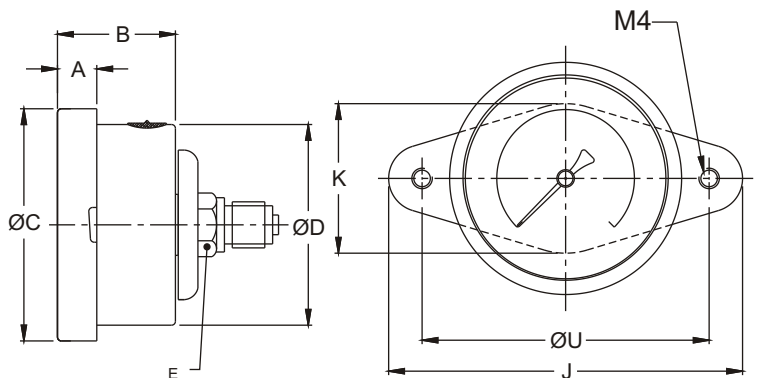
| Size | A | B | ØC | ØD | E | S | ØN | ØI | ØU | M |
|------|------|----|------|------|-------|---|----|----|----|----|
| 63 | 12.5 | 46 | 77.5 | 66.5 | A/F14 | 5 | 86 | 5 | 75 | 80 |

TYPE 31 - DIRECT CENTER BACK ENTRY



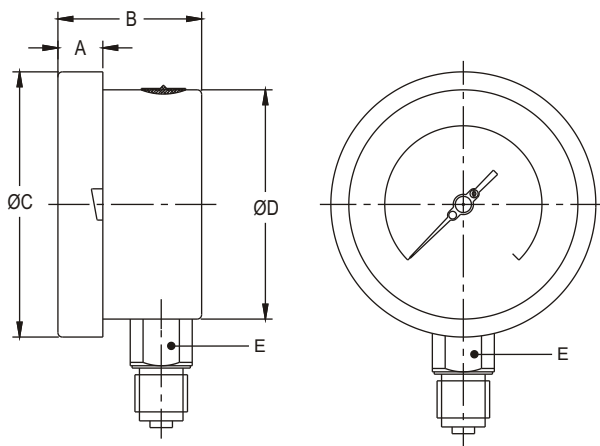
| Size | A | B | ØC | ØD | E |
|------|------|----|------|------|-------|
| 63 | 12.5 | 46 | 77.5 | 66.5 | A/F14 |

TYPE 33 - DIRECT CENTER BACK ENTRY WITH MOUNTING BRACKET



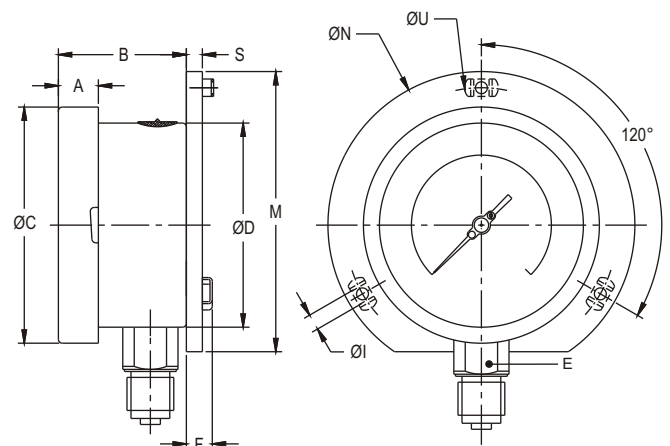
| Size | A | B | ØC | ØD | E | J | K | ØU |
|------|------|----|------|------|-------|----|----|------|
| 63 | 12.5 | 46 | 77.5 | 66.5 | A/F14 | 91 | 38 | 70.5 |

TYPE 11 - DIRECT BOTTOM ENTRY



| Size | A | B | ØC | ØD | E |
|------|------|----|-----|-----|----|
| 100 | 12.5 | 47 | 111 | 100 | 22 |
| 125 | 15 | 48 | 129 | 119 | 22 |
| 150 | 15 | 49 | 161 | 149 | 22 |

TYPE 14 - WALL / SURFACE WITH BOTTOM ENTRY

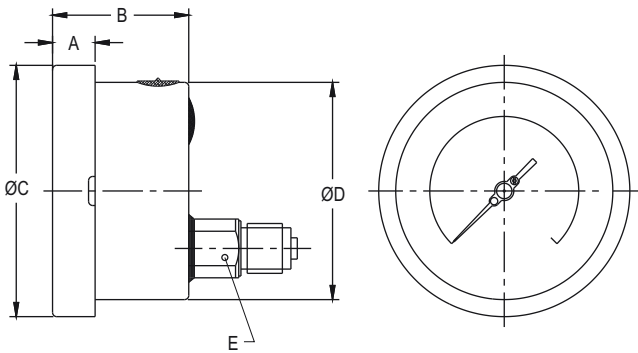


| Size | A | B | ØC | ØD | E | M | S | F | ØI | ØN | ØU |
|------|------|------|-----|-----|----|-------|-----|------|----|-----|-----|
| 100 | 12.5 | 45 | 111 | 100 | 22 | 128 | 6 | 14.5 | 6 | 134 | 118 |
| 125 | 15 | 46 | 129 | 119 | 22 | - | 4 | 15 | 6 | 152 | 138 |
| 150 | 15 | 46.5 | 161 | 149 | 22 | 174.5 | 5.5 | 15 | 6 | 186 | 168 |

Note: Drawings are not to scale. All Dimensions are in mm.

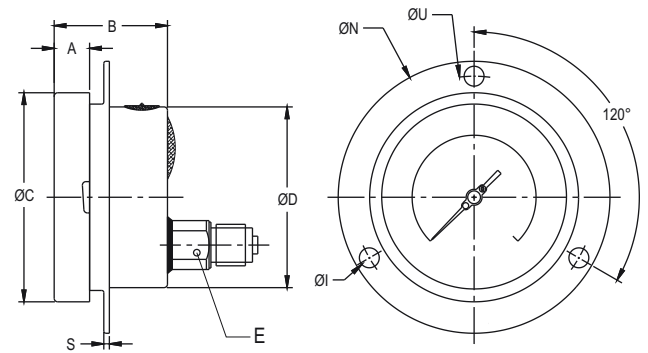
DIMENSIONS :- FOR STANDARD MODEL

TYPE 21 - DIRECT LOWER BACK ENTRY



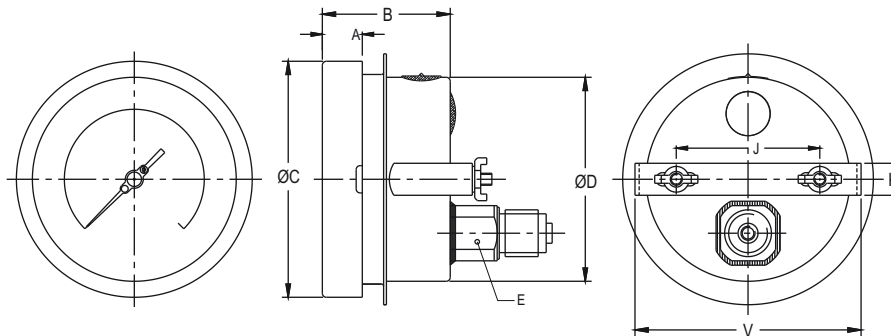
| Size | A | B | ØC | ØD | E |
|------|------|----|-----|-----|----|
| 100 | 12.5 | 47 | 111 | 100 | 22 |
| 125 | 15 | 48 | 129 | 119 | 22 |
| 150 | 15 | 49 | 161 | 149 | 22 |

TYPE 22 - DIRECT LOWER BACK ENTRY WITH FRONT FLANGE



| Size | A | B | ØC | ØD | E | S | ØI | ØN | ØU |
|------|------|----|-----|-----|----|---|----|-----|-----|
| 100 | 12.5 | 47 | 111 | 100 | 22 | 1 | 6 | 134 | 118 |
| 125 | 15 | 48 | 129 | 119 | 22 | 4 | 6 | 152 | 138 |
| 150 | 15 | 49 | 161 | 149 | 22 | 5 | 6 | 186 | 168 |

TYPE 23 - DIRECT LOWER BACK ENTRY WITH MOUNTING BRACKET



| Size | A | B | ØC | ØD | E | J | K | V |
|------|------|----|-----|-----|----|----|-------|-----|
| 100 | 12.5 | 47 | 111 | 100 | 22 | 22 | 72 | 108 |
| 125 | 15 | 48 | 129 | 119 | 22 | 22 | 75 | 125 |
| 150 | 15 | 49 | 161 | 149 | 22 | 22 | 106.5 | 166 |

Note: Drawings are not to scale. All Dimensions are in mm.

SELECTION OF MODEL

(1) MODEL CODE

(2) DIAL SIZE

| Dial Size | Code |
|-----------|------|
| 63 | 2 |
| 100 | 4 |
| 125 | 5 |
| 150 | 6 |

(3) MOUNTING TYPE

| Mounting Type | Code |
|--|------|
| DIRECT BOTTOM ENTRY | 11 |
| WALL / SURFACE / PROJECTION MOUNTING WITH BOTTOM ENTRY | 14 |
| DIRECT LOWER BACK ENTRY# | 21 |
| DIRECT CENTER BACK ENTRY* | 31 |
| DIRECT LOWER BACK ENTRY WITH FRONT FLANGE# | 22 |
| DIRECT LOWER BACK ENTRY WITH MOUNTING BRACKET# | 23 |
| DIRECT CENTER BACK ENTRY WITH MOUNTING BRACKET* | 32 |

Note: *Applicable for 63mm only. #Not applicable for 63mm.

PX

4

11

SELECTION OF MODEL

(4) GAUGE CONNECTION SIZE

| | |
|---------------------|-----|
| 1/4" BSP (M)* | 2BM |
| 1/4" NPT (M)* | 2NM |
| 1/2" BSP (M)# (STD) | 4BM |

| | |
|---------------|-----|
| 1/2" NPT (M)# | 4NM |
| 3/8" BSP (M)# | 3BM |
| 3/8" NPT (M)# | 3NM |

Note: *Applicable for 63mm only. #These connections will be provided through adaptor for 63mm.
Connections like Metric / PT / PF / Flaired / UNF / G / R etc cab be provided on request.

(5) RANGE

REFER TO THE FOLLOWING TABLE

| Single Scale - mmWC | |
|---------------------|-------------|
| 0-250 mmWC | 0-2000 mmWC |
| 0-400 mmWC | 0-2500 mmWC |
| 0-600 mmWC | 0-4000 mmWC |
| 0-1000 mmWC | 0-6000 mmWC |
| 0-1600 mmWC | |

| Vacuum - mmWC | |
|---------------|--------------|
| -250-0 mmWC | -2000-0 mmWC |
| -400-0 mmWC | -2500-0 mmWC |
| -600-0 mmWC | -4000-0 mmWC |
| -1000-0 mmWC | -6000-0 mmWC |
| -1600-0 mmWC | |

| Compound - mmWC | |
|-----------------|-----------------|
| -100-150 mmWC | -800-1200 mmWC |
| -150-250 mmWC | -1000-1500 mmWC |
| -200-400 mmWC | -1500-2500 mmWC |
| -400-600 mmWC | -2000-4000 mmWC |

(Other Pressure UNIT like mbar, kPa, inWC, in Hg, mmHg & Dual Scale or Equivalent scale as per the requirement can be provided on request.

(6) OPTIONS

| |
|---------------------------------|
| DC CUSTOM DESIGNED DIAL |
| TS SS TAG PLATE |
| WV ON-OFF TYPE VENT PLUG |

| |
|--|
| CC FIVE POINT CALIBRATION CERTIFICATE |
| DS INTEGRAL DAMPENING SCREW (BRASS) |

| Example | 1 | 2 | 3 | 4 | 5 | 6 |
|--------------------|----|---|----|-----|------------|----|
| SELECTION OF MODEL | PX | 4 | 11 | 4BM | 0-250 mmWC | XX |

4BM

0-250 mmWC

XX

NESSTECH INC.

INTERNATIONAL SALES DEPARTMENT

1-12-1 Akanehama, Narashino-shi, Chiba
275-0024, JAPAN

PHONE +81-47-453-1182
F A X +81-47-453-0727

NESSTECH INSTRUMENTS PVT. LTD (INDIA)

Survey No. 26/2, "G" Type, Global Industrial Park,
Near Nahuli Railwaycrossing, Village Valvada, Vapi,
Tal Umbergaon, Dist Valsad-396191, Gujrat
TEL: +91-260-299-6920

NESS TECHNOLOGY (M) SDN BHD (MALAYSIA)

No. 42A Jalan PUJ 3/8, Taman Puncak Jalil, Bandar Putra Permai,
43300 Seri Kembangan, Selangor
TEL: +603-8940-1134/8940-1059 FAX: +603-8999-4133