



ALL SS PRESSURE GAUGE

ELECTRIC CONTACT TYPE

Model - PJ

Special Features :

- Stainless Steel case & measuring system
- Filled version available
- Standard followed in general EN 837-1

Applications :

- To control the electric operation of compressors
- Pumps, Motors & Presses
- Hydraulic & Pneumatic Equipments
- Chemicals & Petrochemicals Plant

Specifications

STANDARD VERSION : 100mm & 150mm

Accuracy	: ± 1.0% of F.S
Ambient temperature	: -25°C to +65°C
Process Temperature	: Max. 100°C
Electric Wiring	: DIN Connector
Contact Setting	: Over on arc of 270°C through a knob placed on front of lens
Operating Pressure Range	: 75% of the Scale Value
Over pressure limit	: Not Suitable

Case & Bezel	: AISI 304 SS (Bayonet Type)
Bourdon	: AISI 316L SS
Socket	: AISI 316L SS (Directly Welded to Case)
Movement	: AISI 304 SS
Joints	: Tig Argon Arc Welding

Protection	: IP 65
Dial	: Aluminium, black graduation on white background
Pointer	: Aluminium, Black coloured, Micrometer Zero Adjustable
Window	: Polycarbonate Dome
Electrical Contacts*	: Refer Selection of Model
Blow off Disc	: Neoprene
Gasket	: Neoprene

***Please specify contact set points while ordering.**

DIELECTRIC OIL FILLED VERSION (OPTION DF)

Accuracy	: ± 1.6% of F.S.
Ambient temperature	: Maximum 65°C
Process Temperature	: +15°C / 65°C
Window	: Polycarbonate Dome
Blow off Disc*	: NBR
Gasket & Filling Plug*	: NBR
Dampening Liquids	: Dielectric Oil
Other Features	: Refer Specification of Standard Version

***Blow off Disc, Gasket & Filling Plug of Viton.**

Temperature effect:

The variation of indication caused by effects of temperature is to be calculated by below formula; which is to be added in the specified accuracy while measurement :- Formula :

$$\pm 0.04 \times (t_2 - t_1) \% \text{ of F. S. where } t_1 = \text{reference temperature (+20°C)} \text{ and } t_2 = \text{ambient temperature in } ^\circ\text{C}..$$

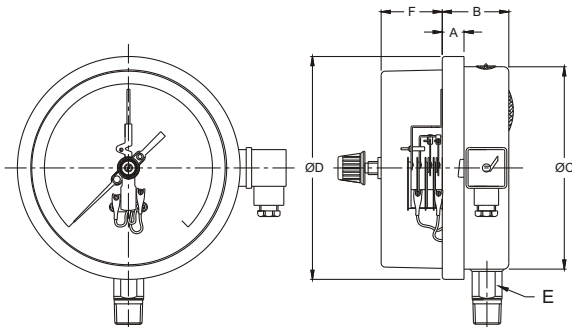
Note: The addition of Mechanical electric contacts affects the accuracy of Instruments such as 1% becomes 1.5%, 1.6% becomes 2.4% etc..

DIMENSIONS :- FOR STANDARD MODEL

TYPE 11 TYPE 14 TYPE 21 TYPE 22 TYPE 23

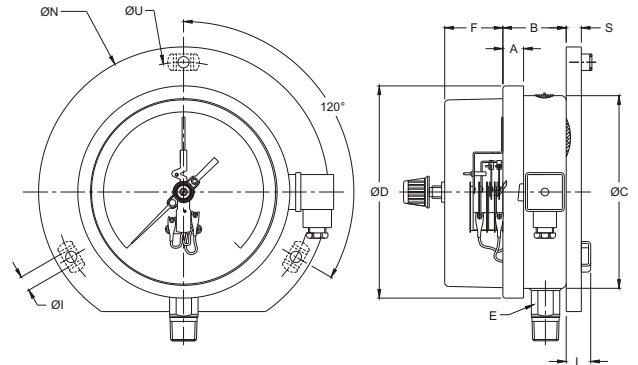
DRAWING OF MODEL (TYPE WISE)

TYPE 11 - DIRECT BOTTOM ENTRY



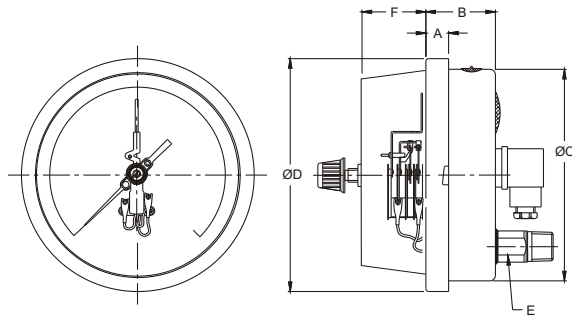
Size	A	B	ØC	ØD	E	F
100	12.5	47	100	111	22	44
150	15	49	149	161	22	44

TYPE 14 - WALL / SURFACE WITH BOTTOM ENTRY



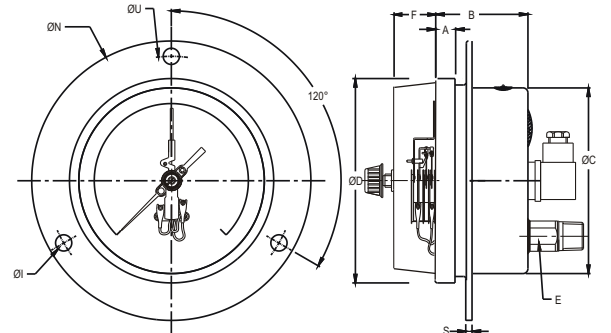
Size	A	B	ØC	ØD	E	F	ØI	ØN	ØU	L	S
100	12.5	45	100	111	22	44	6	134	118	14.5	6
150	15	46.5	149	161	22	44	6	186	118	14.5	6

TYPE 21 - DIRECT LOWER BACK ENTRY



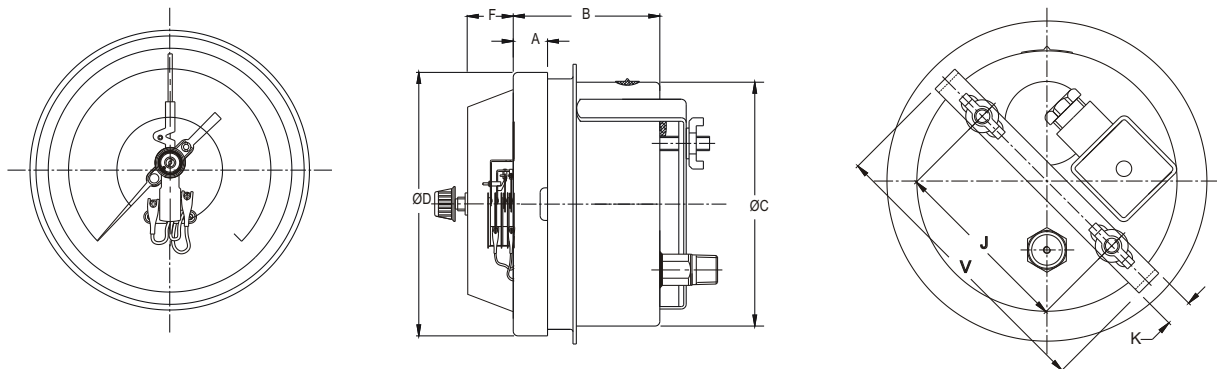
Size	A	B	ØC	ØD	E	F
100	12.5	47	100	111	22	44
150	15	49	149	161	22	44

TYPE 22 - LOWER BACK ENTRY WITH FRONT FLANGE



Size	A	B	ØC	ØD	E	F	ØI	ØN	ØU
100	12.5	47	100	111	A/F22	44	6	134	118
150	15	49	149	161	A/F22	44	6	186	118

TYPE 23 - LOWER BACK ENTRY WITH MOUNTING BRACKET

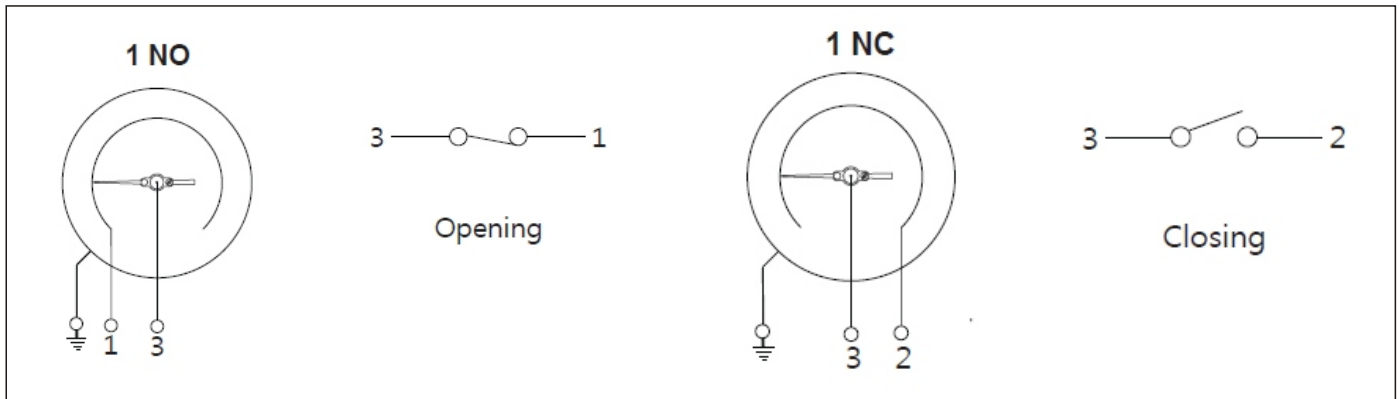


Size	A	B	ØC	ØD	E	F	J	K	V
100	12.5	47	100	111	A/F22	44	72	16	108
150	15	49	149	161	A/F22	44	106.5	16	166

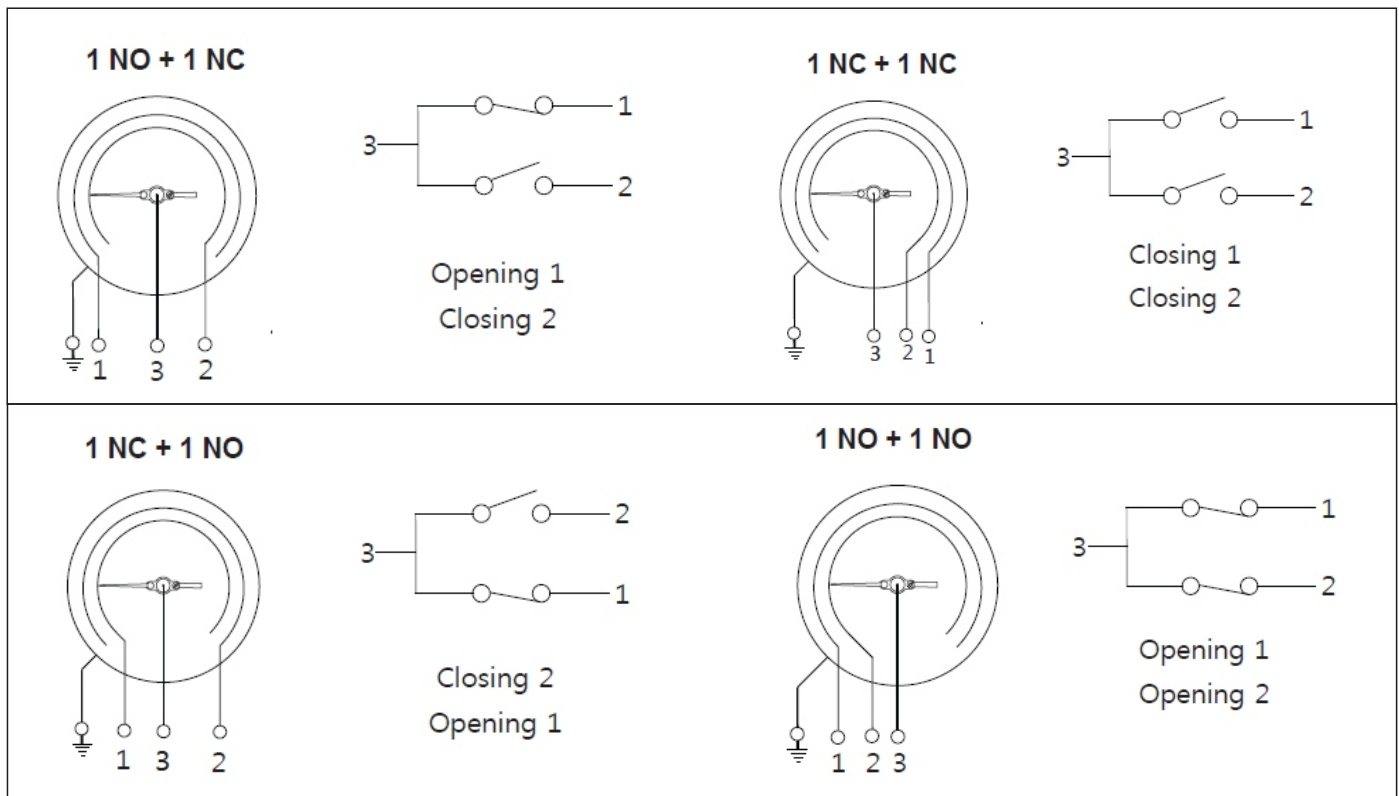
Notes: • Drawings are not to Scale. • All Dimensions are in mm.

WIRING DIAGRAMS FOR ELECTRIC CONTACTS

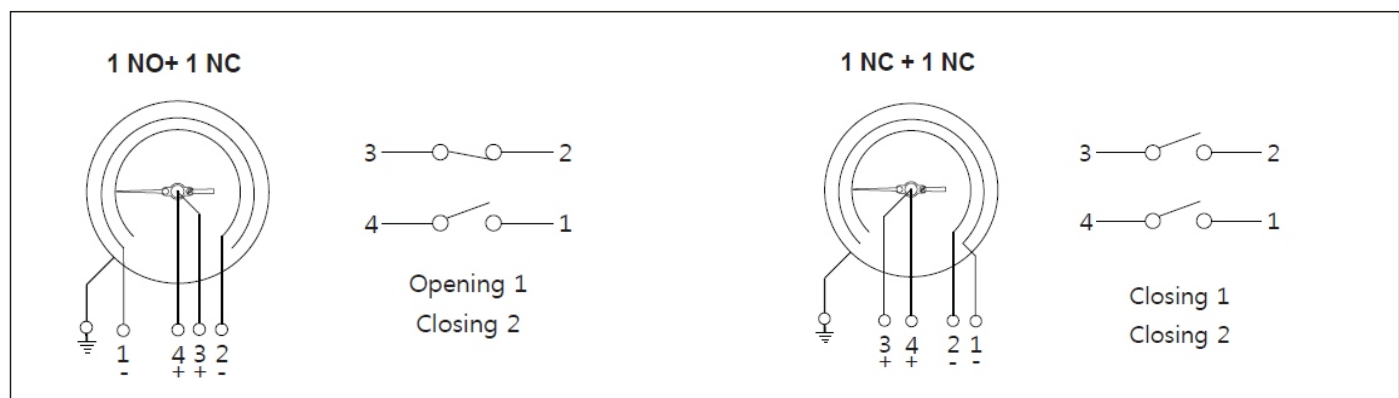
SINGLE CONTACT



DOUBLE CONTACT



INDEPENDENT DOUBLE CONTACT



SELECTION OF MODEL

(1) MODEL CODE

(2) DIAL SIZE

Dial Size	Code
100	4
150	5

(3) MOUNTING TYPE

Mounting Type	Code
DIRECT BOTTOM ENTRY	11
WALL / SURFACE / PROJECTION MOUNTING WITH BOTTOM ENTRY	14
DIRECT LOWER BACK ENTRY	21
DIRECT LOWER BACK ENTRY WITH FRONT FLANGE	22
LOWER BACK ENTRY WITH MOUNTING BRACKET	23

(4) ELECTRICAL CONTACTS (CE & Atex Approved)

1) Single insulated magnetic snap action type (230 V AC, 1 Amp.)(48 V DC, 0.5 Amp.)

SJ Single: Normally Closed (1NC)
SK Double: Normally Closed + Normally Open (1NC + 1NO)
SL Single: Normally Open (1 NO)
SM Double: Normally Open + Normally Closed (1NO + 1NC)
SN Double: Normally Closed (both NC)
SO Double: Normally Open (both NO)
SU Booster with relay for Current upto 5 Amp.
SA SPDT
SC DPDT

2) Inductive type (230 V AC, 0.4 Amp.)

IW Single: Normally Open (1 NO)
IV Single: Normally Closed (1NC)
IX Double: Normally Closed + Normally Open (1NC + 1NO)
IY Double: Normally Open (both NO)
IZ Double: Normally Closed (both NC)
IA Double: Normally Open + Normally Closed (1NO + 1NC)

(5) GAUGE CONNECTION SIZE

1/4" NPT (M)	2NM	1/2" BSP (M)	4BM
1/2" NPT (M) (STD)	4NM	1/2" BSPT (M)	4TM
3/8" BSP(M)	3BM	M20 x 1.5 (M)	4MM

Note :- OTHER OPTIONS WILL BE PROVIDED ON REQUEST. CONSULT FACTORY FOR MORE DETAILS

(6) RANGE

REFER TO THE FOLLOWING TABLE

Kg/cm ²	Kg/cm ²	Kg/cm ²
0 - 1.6 kg/cm ²	0 - 60 kg/cm ²	0 - 1600 kg/cm ²
0 - 2.5 kg/cm ²	0 - 70 kg/cm ²	-1 - 5 kg/cm ²
0 - 4 kg/cm ²	0 - 100 kg/cm ²	-1 - 9 kg/cm ²
0 - 6 kg/cm ²	0 - 160 kg/cm ²	-1 - 15 kg/cm ²
0 - 7 kg/cm ²	0 - 200 kg/cm ²	
0 - 10 kg/cm ²	0 - 250 kg/cm ²	
0 - 16 kg/cm ²	0 - 280 kg/cm ²	
0 - 21 kg/cm ²	0 - 400 kg/cm ²	
0 - 25 kg/cm ²	0 - 600 kg/cm ²	
0 - 28 kg/cm ²	0 - 700 kg/cm ²	
0 - 40 kg/cm ²	0 - 1000 kg/cm ²	

(Othe Pressure UNIT like Bar, kPa, MPa, psi, kg/cm2 or Dual Scale like kg/cm2 with psi, kPa with bar, bar with psi ,etc will be provided on request)

(7) OPTIONS

DC CUSTOM DESIGNED DIAL	DB INTEGRAL DAMPENING SCREW (316 SS)
TS SS TAG PLATE	CC FIVE POINT CALIBRATION CERTIFICATE
DF DIELECTRIC OIL FILLED	HT HELIUM LEAK TEST
	MC MATERIAL TEST CERTIFICATE

Example	1	2	3	4	5	6	7
SELECTION OF MODEL	PJ	4	11	XX	4NM	0-7 kg/cm ²	XX

PJ

4

11

XX

4NM

0-7
Kg/Cm²

XX