

NESS

ECONOMIC PRESSURE GAUGE (HVAC)

PLASTIC CASE BRASS INTERNAL TYPE

Model - PH

Special Features :

- Rust Free Design
- Ideal for HVAC & Pharmaceutical Industries
- Economical Version

Applications :

- HVAC
- Water
- Air
- Refrigerant Gas



Specifications

STANDARD VERSION : 100mm

Accuracy	: ± 1.6% of F.S.
Ambient temperature	: -25°C to +65°C
Process temperature	: Max. 60°C
Operating pressure	: 75% of the Scale Value
Over pressure limit	: 125% of Max. Scale Value for Pressure Ranges up to 100 kg/cm ²
	: 115% of Max. Scale Value for Pressure Ranges from 100 to 400 kg/cm ²

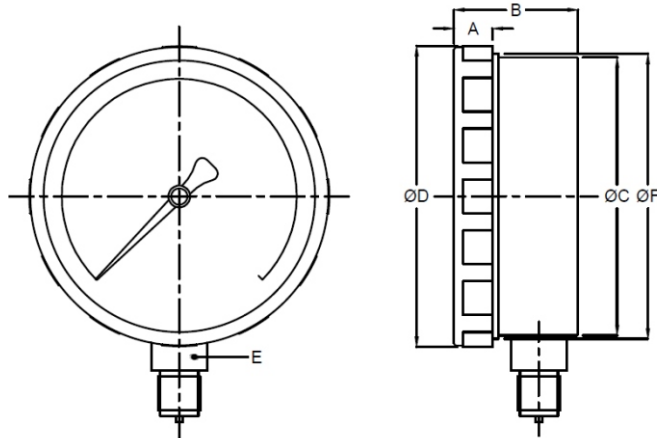
Case	: ABS Plastic [Screwed]
Bourdon	: Copper Alloy
Socket	: Copper Alloy
Movement	: Copper Alloy
Joints	: Alloy Brazing / Soldering

Dial	: Aluminium, black graduation on white background
Pointer	: Black coloured, Fixed
Window	: Plain Glass

DIMENSIONS : - FOR STANDARD MODEL

DRAWING OF MODEL (TYPE WISE)

TYPE 11 - DIRECT BOTTOM ENTRY



Size	A	B	ØC	ØF	ØD	E
100	14	41	104	109.5	115	SQ. 17

Notes : • Drawings are not to scale. • All Dimensions are in mm.

SELECTION OF MODEL

(1) MODEL CODE

(2) DIAL SIZE

Dial Size	Code
100	4



(3) MOUNTING TYPE

Mounting Type	Code
DIRECT BOTTOM ENTRY	11

(4) GAUGE CONNECTION SIZE

1/4" BSP (M)	2BM	3/8" BSP (M)(STD)	3BM
1/4" BSPT (M)	2TM	3/8" BSPT (M)	3TM
1/4" NPT (M)	2NM	3/8" NPT (M)	3NM

Note :- OTHER OPTIONS WILL BE PROVIDED ON REQUEST. CONSULT FACTORY FOR MORE DETAILS

(5) RANGE

REFER TO THE FOLLOWING TABLE

PSI	Kg/cm ²	Compound Range (For 100mm & 150mm Only)
-30inHg - 0	- 760 mmHg - 0	-30inHg - 30
0 - 15 psi	0 - 1 kg/cm ²	-30inHg - 60
0 - 100 psi	0 - 4 kg/cm ²	-30inHg - 100
0 - 150 psi	0 - 7 kg/cm ²	-30inHg - 200
0 - 300 psi	0 - 10 kg/cm ²	-30inHg - 300
0 - 600 psi	0 - 16 kg/cm ²	-1 - 10 kg/cm ²
0 - 1000 psi	0 - 21 kg/cm ²	-1 - 21 kg/cm ²
0 - 1500 psi	0 - 28 kg/cm ²	
0 - 2200 psi	0 - 35 kg/cm ²	
0 - 3000 psi	0 - 70 kg/cm ²	
0 - 4000 psi	0 - 100 kg/cm ²	
0 - 5000 psi	0 - 160 kg/cm ²	
0 - 6000 psi	0 - 210 kg/cm ²	
	0 - 280 kg/cm ²	
	0 - 350 kg/cm ²	
	0 - 400 kg/cm ²	

(Other Pressure UNIT like Bar, kPa, MPa, psi, kg/cm² or Dual Scale like kg/cm² with psi, kPa with bar, bar with psi ,etc will be provided on request)

(6) OPTIONS

DC CUSTOM DESIGNED DIAL	DB INTEGRAL DAMPENING SCREW (BRASS)
TS SS TAG PLATE	CC FIVE POINT CALIBRATION CERTIFICATE
4NM 1/2"NPT(M) (Through Adaptor)	4BM 1/2"BSP(M) (Through Adaptor)

Example	1	2	3	4	5	6
SELECTION OF MODEL	PH	4	11	3BM	0 - 10 kg/cm ²	XX

PH

4

11

3BM

0 - 10
kg/cm²

XX

NESSTECH INC.

INTERNATIONAL SALES DEPARTMENT

1-12-1 Akanehama, Narashino-shi, Chiba
275-0024, JAPAN

PHONE +81-47-453-1182
F A X +81-47-453-0727

■ NESSTECH INSTRUMENTS PVT. LTD (INDIA)

Survey No. 26/2, "G" Type, Global Industrial Park,
Near Nahuli Railwaycrossing, Village Valvada, Vapi,
Tal Umbergaon, Dist Valsad-396191, Gujrat
TEL: +91-260-299-6920

■ NESS TECHNOLOGY (M) SDN BHD (MALAYSIA)

No. 42A Jalan PUJ 3/8, Taman Puncak Jalil, Bandar Putra Permai,
43300 Seri Kembangan, Selangor
TEL: +603-8940-1134/8940-1059 FAX: +603-8999-4133