

STANDARD MODEL

Features : double diaphragm system (DP cell)
 static pressure max. 100 bar
 two measuring chambers
both sides over pressure safe upto 100 bar (static pressure)

corrosion resistance
 connections at 54 mm pitch

Wetted parts : diaphragms duratherm
 AISI316L/1.4404; Viton

Applications : flow measurement
 petrol chemical industry
 filter applications
 general industry
 shipping industry
 off-shore

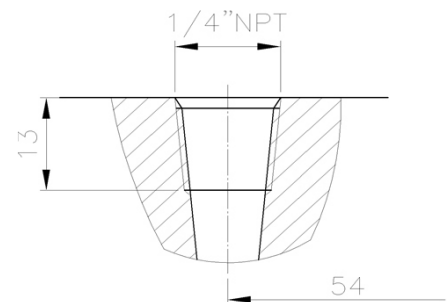


Example: POD100XK

Type	max. static pressure
POD100xx-low	max. 100 bar
POD160xx-low	max. 100 bar
POD100xx	max. 100 bar
POD160xx	max. 100 bar

Range
0 - 100 mbar upto
0 - 600 mbar
0 - 1 bar upto
0 - 25 bar

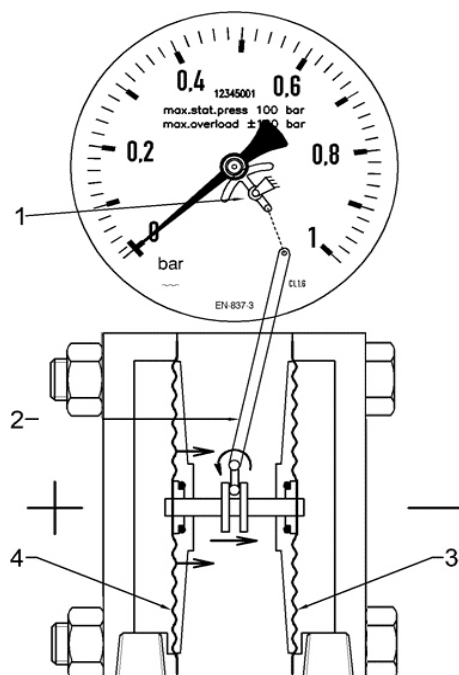
standard connections



Options : other connections (adapters)
 swivel adapters
 manifolds
 chemical seals
 electrical contacts
 special dials
 static pressure max. 250 bar

operating principle

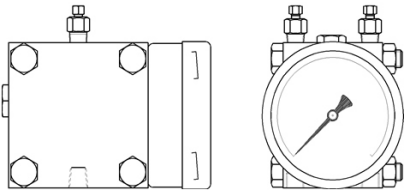
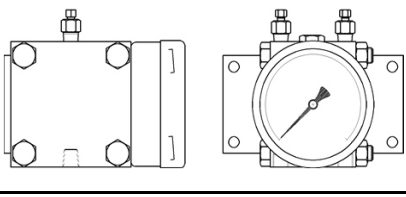
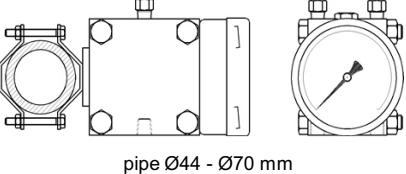
- 1 pointer mechanism
- 2 connecting rod
- 3 - sensing diaphragm
- 4 + sensing diaphragm

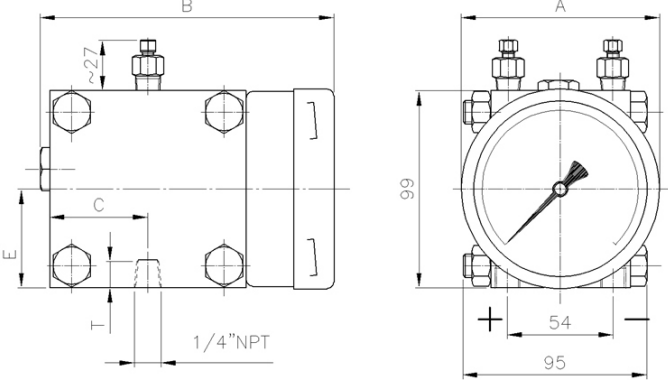


STANDARD MODEL

CASE : bayonet lock, AISI304/1.4301, IP-65
WETTED PARTS : diaphragms duratherm
 other AISI316L/1.4404/1.4435
WINDOW : safety glass
DIAL : aluminium, black figures on white
POINTER : aluminium, black
CONNECTION : 2 x 1/4"NPT female, AISI316L/1.4404
 at pitch 54 mm

MOVEMENT : AISI304/1.4301
ACCURACY : ± 1.6% F.S./class 1.6
STATIC PRESS. : max. 100 bar
OVERLOAD : both sides upto 100 bar*
APPLICATION : general and heavy industry
OPTIONS : see last page for other options

TYPE	MODEL	CASE DIAMETER (Ø in mm)			
		100 100 upto 600 mbar	100 1 upto 25 bar	160 100 upto 600 mbar	160 1 upto 25 bar
K		POD100XK-low	POD100XK	POD160XK-low	POD160XK
L		POD100XL-low	POD100XL	POD160XL-low	POD160XL
Y 2" Yoke vert. or hor.	 pipe Ø44 - Ø70 mm	POD100XY-low	POD100XY	POD160XY-low	POD160XY
OPTION		EXTRA COSTS			
Lx	ONDINA OIL FILLED CASE	POD100Lx-low	POD100Lx	POD160Lx-low	POD160Lx
* STATIC PRESSURE 250 BAR	STATIC PRESSURE UPTO 250 BAR both sides overload save upto 250 bar	x	O.D.	x	O.D.
CONNECTION	2x 1/2"BSP or 1/2"NPT male				
"Hz" CONTACT DEVICE	EXCLUDING "Hz" CONTACT (see page 59-62)	O.D.		O.D.	

TYPE	DRAWING	DIMENSIONS mm				
K PODxxxXKlow PODxxxXK		CASE DIAMETER				
		DIM.	100	160	100 mm + contact	160 mm + contact
		A	101.5	162	101.5	162
		B	150	150	202	205
		C	49.5	49.5	49.5	49.5
E	49.5	49.5	49.5	49.5		
T*	15	15	15	15		
*standard connection 1/4"NPT female						

TYPE	DRAWING	DIMENSIONS mm																																		
<p style="text-align: center;">L</p> <p>PODxxxXLlow PODxxxXL</p>		<table border="1"> <thead> <tr> <th rowspan="2">DIM.</th> <th colspan="4">CASE DIAMETER</th> </tr> <tr> <th>100</th> <th>160</th> <th>100 mm + contact</th> <th>160 mm + contact</th> </tr> </thead> <tbody> <tr> <td>A</td> <td>101.5</td> <td>162</td> <td>101.5</td> <td>162</td> </tr> <tr> <td>B</td> <td>150</td> <td>150</td> <td>202</td> <td>205</td> </tr> <tr> <td>C</td> <td>54,5</td> <td>54,5</td> <td>54,5</td> <td>54,5</td> </tr> <tr> <td>E</td> <td>49,5</td> <td>49,5</td> <td>49,5</td> <td>49,5</td> </tr> <tr> <td>T*</td> <td>15</td> <td>15</td> <td>15</td> <td>15</td> </tr> </tbody> </table> <p>*standard connection 1/4"NPT female</p>	DIM.	CASE DIAMETER				100	160	100 mm + contact	160 mm + contact	A	101.5	162	101.5	162	B	150	150	202	205	C	54,5	54,5	54,5	54,5	E	49,5	49,5	49,5	49,5	T*	15	15	15	15
DIM.	CASE DIAMETER																																			
	100	160	100 mm + contact	160 mm + contact																																
A	101.5	162	101.5	162																																
B	150	150	202	205																																
C	54,5	54,5	54,5	54,5																																
E	49,5	49,5	49,5	49,5																																
T*	15	15	15	15																																
<p style="text-align: center;">Y</p> <p>PODxxxXYlow PODxxxXY</p> <p>pipe size: Ø44 - Ø70 mm</p>	<p style="text-align: center;">bracket for horizontal or vertical pipe mounting</p>	<table border="1"> <thead> <tr> <th rowspan="2">DIM.</th> <th colspan="4">CASE DIAMETER</th> </tr> <tr> <th>100</th> <th>160</th> <th>100 mm + contact</th> <th>160 mm + contact</th> </tr> </thead> <tbody> <tr> <td>A</td> <td>101.5</td> <td>162</td> <td>101.5</td> <td>162</td> </tr> <tr> <td>B</td> <td>189**</td> <td>189**</td> <td>241**</td> <td>244**</td> </tr> <tr> <td>C</td> <td>88,5**</td> <td>88,5**</td> <td>88,5**</td> <td>88,5**</td> </tr> <tr> <td>E</td> <td>64,5</td> <td>64,5</td> <td>64,5</td> <td>64,5</td> </tr> <tr> <td>T*</td> <td>15</td> <td>15</td> <td>15</td> <td>15</td> </tr> </tbody> </table> <p>*standard connection 1/4"NPT female *dimensions for 2" pipe size</p>	DIM.	CASE DIAMETER				100	160	100 mm + contact	160 mm + contact	A	101.5	162	101.5	162	B	189**	189**	241**	244**	C	88,5**	88,5**	88,5**	88,5**	E	64,5	64,5	64,5	64,5	T*	15	15	15	15
DIM.	CASE DIAMETER																																			
	100	160	100 mm + contact	160 mm + contact																																
A	101.5	162	101.5	162																																
B	189**	189**	241**	244**																																
C	88,5**	88,5**	88,5**	88,5**																																
E	64,5	64,5	64,5	64,5																																
T*	15	15	15	15																																

OPTIONS ON DIFFERENTIAL PRESSURE GAUGES

TYPE	CASE DIMENSIONS (in mm)	EXTRA COSTS									
		CONNECTIONS							CASE & BEZEL		
		1/8" BSP/NPT max. 400 bar	1/4" BSP/NPT max. 1000 bar	1/2" BSP max. 1000 bar 1/2" NPT max. 1000 bar	3/8" BSP/NPT max. 1000 bar	M20x1.5 max. 1000 bar	M16x1.5 H.P. female max. 7000 bar**	G1/8" UNF x 18 H.P. female max. 7000 bar**	AISI316 / 1.4401	BACK / FRONT FLANGE AISI316/1.4401	
PCD	100			•				×	×		
	160			•				×	×		
POD	100			•				×	×	×	×
	160			•				×	×	×	×

TYPE	CASE DIMENSIONS (in mm)	WINDOW MATERIAL			BLOW-OUT		POINTERS				MEASURING SYSTEM				
		FRONT FLANGELASS	SECURET	LAMINATED SAFETY GLASS	DISC	PLUG (LIQUID FILLED)	ADJUSTABLE	INDEX POINTER ON GLASS	DRAG POINTER		DRAG POINTER in combination with 18 degrees	OIL & GREASE FREE	WONEL WETTED PARTS	PULSATION DAMPER AS0118 1.4401	OVERLOAD 24 T.2. 100% on demand
									Single	Double					
PCD	100	×		×	×	×		×	×	×	×	×	×		see page 46
	160	×		×	×	×		×	×	×	×	×	×		
PDD	100				•	•				×		×	×		×
	160				•	•				×		×	×		×
POD	100				•	•				×	×	×	×		×
	160				•	•				×	×	×	×		×

× NOT AVAILABLE
 • STANDARD
 ○ ON DEMAND
 * Not possible in combinations with contacts or transmitters
 ** Not available with pulsation damper

NESSTECH INC. INTERNATIONAL SALES DEPARTMENT

1-12-1 Akanehama, Narashino-shi, Chiba
275-0024, JAPAN

PHONE +81-47-453-1182
F A X +81-47-453-0727

■ NESSTECH INSTRUMENTS PVT. LTD (INDIA)

Survey No. 26/2, "G" Type, Global Industrial Park,
Near Nahuli Railway crossing, Village Valvada, Vapi,
Tal Umbergaon, Dist Valsad-396191, Gujrat
TEL: +91-260-299-6920

■ NESS TECHNOLOGY (M) SDN BHD (MALAYSIA)

No. 42A Jalan PUJ 3/8, Taman Puncak Jalil, Bandar Putra Permai,
43300 Seri Kembangan, Selangor
TEL: +603-8940-1134/8940-1059 FAX: +603-8999-4133