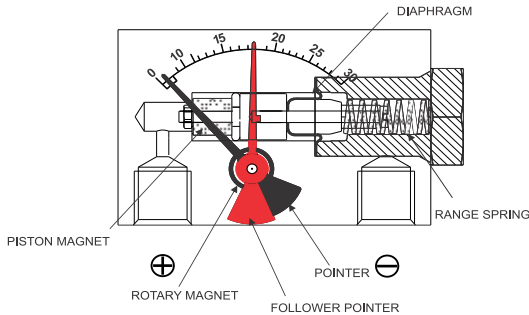


# NESS

## DIFFERENTIAL PRESSURE GAUGE

### DIAPHRAGM TYPE

# Model - PHD



**FOR GAS APPLICATION**



#### COMBINATIONS

Gauge



Gauge+switch



### PHD

**DP Range : 0 to 0.75 upto 2 bar  
0 to 10 upto 30 psi**

#### Specifications

Accuracy	± 5% of FSD (Ascending)
Migration	No migration ; Zero leakage from high to low port
Range	0-0.75 upto 2 bar/psi dual scale
First marking on the scale	15% of the FSD
Sensing element	Diaphragm
Wetted parts	Body material, SS 302 spring, diaphragm & ceramic magnet
Case material	Stainless steel (SS 304)
Dial size in inch / mm	2.5", 3.5", 4" / 63, 80, 100 mm
Mounting	Direct
Maximum working pressure	100 bar.
Maximum process temperature	80°C / 175° F
Body material	Aluminium
Seals	Buna-N, Viton diaphragm & "O" rings
Window	Acrylic
Connection	1/4" NPT(F) Std. Optional 1/4" BSP(F)
Porting	Bottom (54mm or 55mm C. D.), in-line
Protection for gauge & switch	IP 65
Over range protection	Up to the max. working pressure from high side only. Never pressurize only LP side beyond 25 bar.

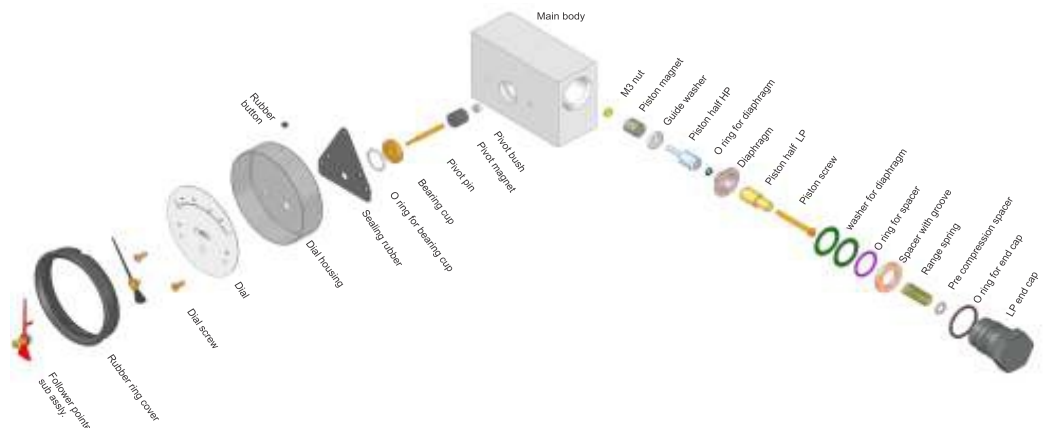
*This instrument with 2.5" dial can be directly mounted on ferrous surface.*

#### Options:

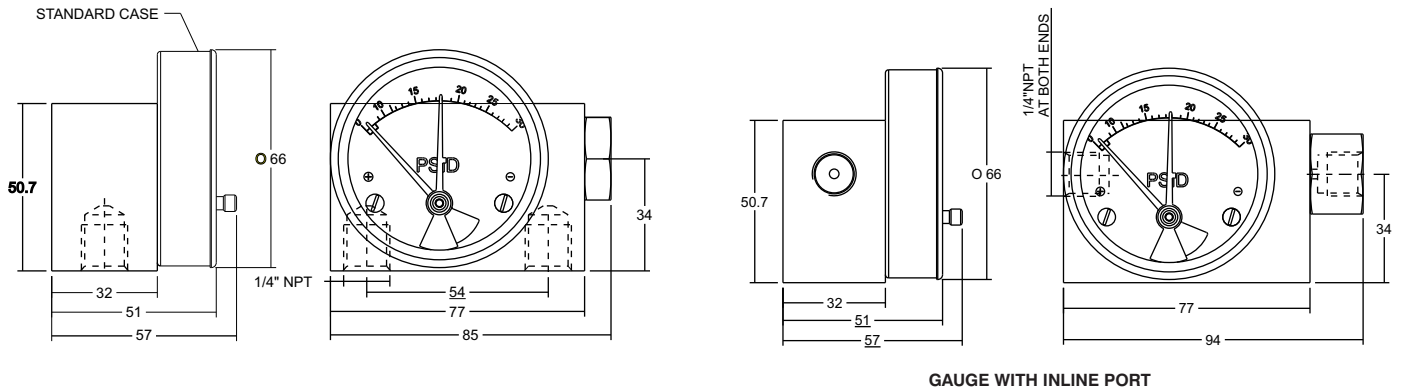
- Customer logo
- Color band
- Red follower pointer (Standard execution for 2.5" dial)

#### Switches

- 1 or 2 SPDT switches (Factory set)



## Dimensions - Standard Version



## SELECTION OF MODEL

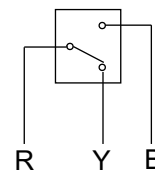
<b>1 Series</b>	<b>PHD</b>			
<b>2 Type</b>	G	Gauge	GS	Gauge + Switch
<b>3 Body material</b>	A Aluminium			
<b>4 Dial Size</b>	2.5	2.5" (Std.)	3.5	3.5" **
	4.0	4.0" **		
<b>5 Window</b>	A Acrylic			
<b>6 Case</b>	SS SS304 with a rubber ring(standard)			
<b>7 Range</b>	bar	0.75	1.0	1.6
	Psi	10	15	24
		2.0	30	
<b>8 Porting</b>	1	Inline**		
	3	Bottom (Std.) (Specify C.D. 54mm or 55mm)		
<b>9 Connection</b>	4N	1/4" NPT(F) Std.	4B	1/4" BSP (F) on request
	ZZ	Special connection through adaptors		
<b>10Seal</b>	B	Buna-N (Std.)	V	Viton on request
<b>11Option</b>	0	None		
	B	Red follower pointer		
	C	Customer logo		
	E	Color band (Available in single scale only)		
<b>12Switch</b>	0	None		
	S2	1 SPDT		
	S3	2 SPDTs		
		Note: Please specify switch set point/s while ordering. It can not be changed later.		

\*\*Longer delivery and switch option not available

### Switch specifications & connection diagram :

Contact Rating	: 3 VA AC(rms) or DC(max.)
Switching current	: 0.30 Amp AC(rms) or DC (max.)
Switch Voltage	: 30 V AC (rms) or DC (max.)
Lead length	: 1.0 meter

### SPDT Switch



## NESSTECH INC.

INTERNATIONAL SALES DEPARTMENT

1-12-1 Akanehama, Narashino-shi, Chiba  
275-0024, JAPAN

PHONE +81-47-453-1182

F A X +81-47-453-0727

## ■ NESSTECH INSTRUMENTS PVT. LTD (INDIA)

Survey No. 26/2, "G" Type, Global Industrial Park,  
Near Nahuli Railwaycrossing, Village Valvada, Vapi,  
Tal Umbergaon, Dist Valsad-396191, Gujrat

TEL: +91-260-299-6920

## ■ NESS TECHNOLOGY (M) SDN BHD (MALAYSIA)

No. 42A Jalan PUJ 3/8, Taman Puncak Jalil, Bandar Putra Permai,  
43300 Seri Kembangan, Selangor

TEL: +603-8940-1134/8940-1059 FAX: +603-8999-4133