

STANDARD MODEL

Features : single diaphragm system
 static pressure max. 20 bar
 corrosion resistance
 two measuring chambers
**over pressure safe upto
 4 times measuring range**

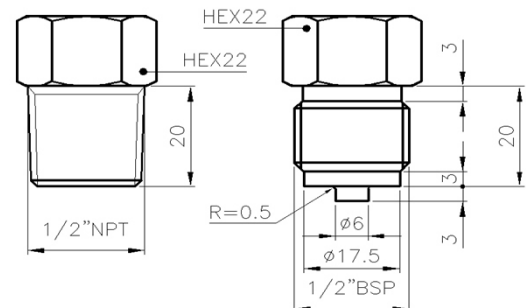
Wetted parts: diaphragm duratherm
 AISI316; Viton (FKM); PTFE

Applications : flow measurement
 petro-chemical industry
 filter applications
 general industry
 shipping industry
 oil and gas industry
 off shore



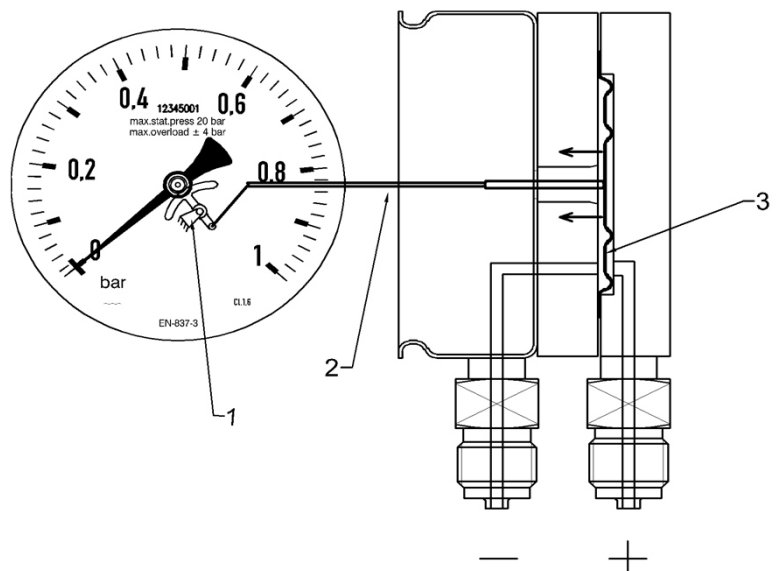
Example: PDD100XK

Range	Max. overload both sides	Max. static press
0 - 1 bar	4 bar	20 bar
0 - 1.6 bar	6.4 bar	20 bar
0 - 2.5 bar	10 bar	20 bar
0 - 4 bar	16 bar	20 bar
0 - 6 bar	20 bar	20 bar
0 - 10 bar	20 bar	20 bar
0 - 16 bar	20 bar	20 bar



Standard connections

Options : other connections
 chemical seals
 swivel adapters
 manifolds
 special dials



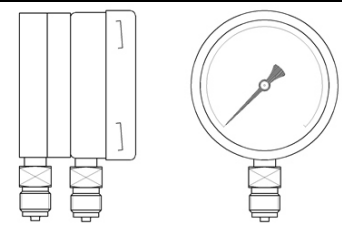
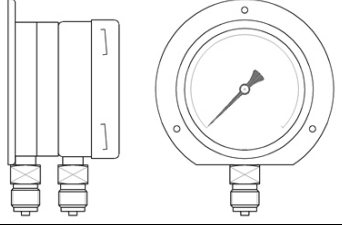
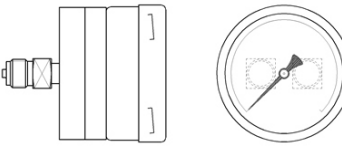
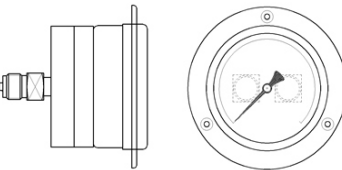
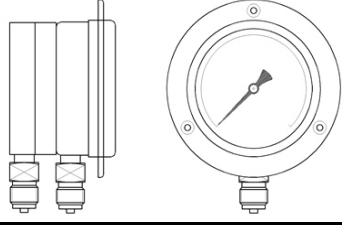
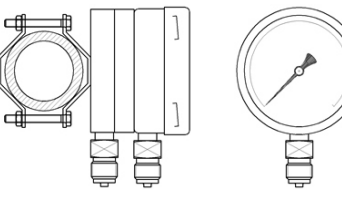
operating principle

- 1 pointer mechanism
- 2 connecting rod
- 3 sensing diaphragm

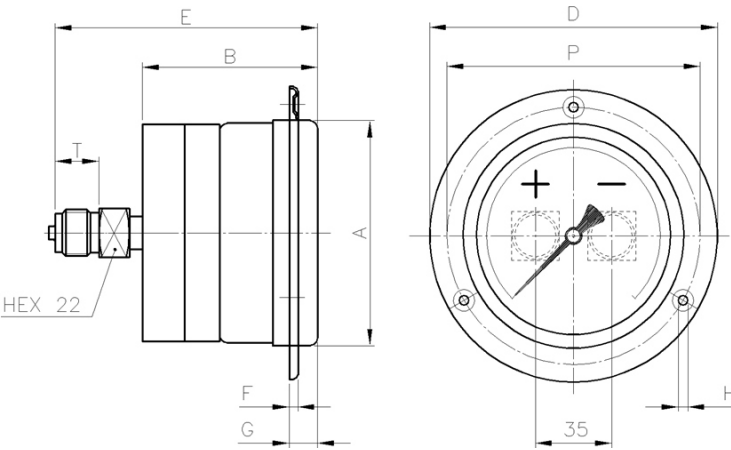
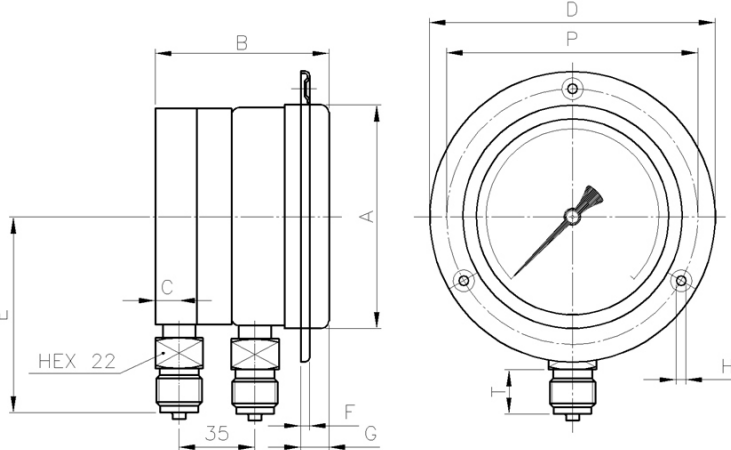
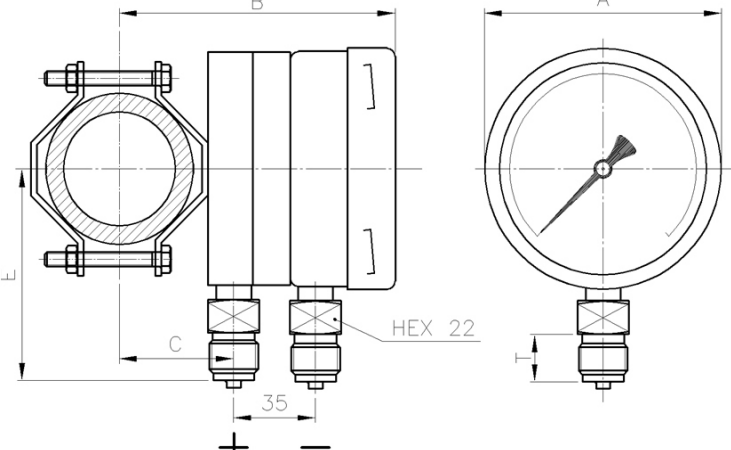
STANDARD MODEL

CASE : bayonet lock, AISI304/1.4301, IP-65
WETTED PARTS : AISI316L/1.4404; diaphragm duratherm
WINDOW : safety glass
DIAL : aluminium, black figures on white
POINTER : aluminium, black

CONNECTION : 2x ½"BSP or ½"NPT, AISI316L/1.4404
MOVEMENT : nickel plated brass
ACCURACY : ± 2.5% F.S./class 2.5
STATIC PRESSURE : max. 4 times range; up to MAX 20 bar
OPTIONS : see last page for other options

TYPE	MODEL	CASE DIAMETER xxx (Ø in mm)	
		100	160
K		PDD100XK	PDD160XK
L		PDD100XL	PDD160XL
M		PDD100XM	PDD160XM
N		PDD100XN	PDD160XN
O		PDD100XO	PDD160XO
Y 2" Yoke vert. or hor.	 pipe: Ø44 - Ø70 mm	PDD100XY	PDD160XY

TYPE	DRAWING	DIMENSIONS mm																													
<p>K</p> <p>PDDxxxXK</p>		<table border="1"> <thead> <tr> <th rowspan="2">DIM.</th> <th colspan="2">CASE DIAMETER</th> </tr> <tr> <th>100</th> <th>160</th> </tr> </thead> <tbody> <tr> <td>A</td> <td>101.5</td> <td>162</td> </tr> <tr> <td>B</td> <td>80</td> <td>80</td> </tr> <tr> <td>C</td> <td>11</td> <td>11</td> </tr> <tr> <td>E</td> <td>89</td> <td>119</td> </tr> <tr> <td>T*</td> <td>20</td> <td>20</td> </tr> </tbody> </table> <p>□ standard connection 1/2"BSP or 1/2"NPT</p>	DIM.	CASE DIAMETER		100	160	A	101.5	162	B	80	80	C	11	11	E	89	119	T*	20	20									
DIM.	CASE DIAMETER																														
	100	160																													
A	101.5	162																													
B	80	80																													
C	11	11																													
E	89	119																													
T*	20	20																													
<p>L</p> <p>PDDxxxXL</p>		<table border="1"> <thead> <tr> <th rowspan="2">DIM.</th> <th colspan="2">CASE DIAMETER</th> </tr> <tr> <th>100</th> <th>160</th> </tr> </thead> <tbody> <tr> <td>A</td> <td>101.5</td> <td>162</td> </tr> <tr> <td>B</td> <td>83</td> <td>83</td> </tr> <tr> <td>C</td> <td>14</td> <td>14</td> </tr> <tr> <td>D</td> <td>132</td> <td>196</td> </tr> <tr> <td>E</td> <td>89</td> <td>119</td> </tr> <tr> <td>P</td> <td>116</td> <td>178</td> </tr> <tr> <td>H</td> <td>4,5</td> <td>6</td> </tr> <tr> <td>T*</td> <td>20</td> <td>20</td> </tr> </tbody> </table> <p>□ standard connection 1/2"BSP or 1/2"NPT</p>	DIM.	CASE DIAMETER		100	160	A	101.5	162	B	83	83	C	14	14	D	132	196	E	89	119	P	116	178	H	4,5	6	T*	20	20
DIM.	CASE DIAMETER																														
	100	160																													
A	101.5	162																													
B	83	83																													
C	14	14																													
D	132	196																													
E	89	119																													
P	116	178																													
H	4,5	6																													
T*	20	20																													
<p>M</p> <p>PDDxxxXM</p>		<table border="1"> <thead> <tr> <th rowspan="2">DIM.</th> <th colspan="2">CASE DIAMETER</th> </tr> <tr> <th>100</th> <th>160</th> </tr> </thead> <tbody> <tr> <td>A</td> <td>101.5</td> <td>162</td> </tr> <tr> <td>B</td> <td>80</td> <td>80</td> </tr> <tr> <td>E</td> <td>120</td> <td>120</td> </tr> <tr> <td>T*</td> <td>20</td> <td>20</td> </tr> </tbody> </table> <p>□ standard connection 1/2"BSP or 1/2"NPT</p>	DIM.	CASE DIAMETER		100	160	A	101.5	162	B	80	80	E	120	120	T*	20	20												
DIM.	CASE DIAMETER																														
	100	160																													
A	101.5	162																													
B	80	80																													
E	120	120																													
T*	20	20																													

TYPE	DRAWING	DIMENSIONS mm																																			
<p>N</p> <p>PDDxxxXN</p>		<table border="1"> <thead> <tr> <th rowspan="2">DIM.</th> <th colspan="2">CASE DIAMETER</th> </tr> <tr> <th>100</th> <th>160</th> </tr> </thead> <tbody> <tr> <td>A</td> <td>101.5</td> <td>162</td> </tr> <tr> <td>B</td> <td>80</td> <td>80</td> </tr> <tr> <td>D</td> <td>132</td> <td>196</td> </tr> <tr> <td>E</td> <td>120</td> <td>120</td> </tr> <tr> <td>F</td> <td>3,5</td> <td>3</td> </tr> <tr> <td>G</td> <td>13</td> <td>15,5</td> </tr> <tr> <td>H</td> <td>4,5</td> <td>6</td> </tr> <tr> <td>P</td> <td>116</td> <td>178</td> </tr> <tr> <td>T*</td> <td>20</td> <td>20</td> </tr> </tbody> </table> <p>□ standard connection 1/2"BSP or 1/2"NPT</p>	DIM.	CASE DIAMETER		100	160	A	101.5	162	B	80	80	D	132	196	E	120	120	F	3,5	3	G	13	15,5	H	4,5	6	P	116	178	T*	20	20			
DIM.	CASE DIAMETER																																				
	100	160																																			
A	101.5	162																																			
B	80	80																																			
D	132	196																																			
E	120	120																																			
F	3,5	3																																			
G	13	15,5																																			
H	4,5	6																																			
P	116	178																																			
T*	20	20																																			
<p>O</p> <p>PDDxxxXO</p>		<table border="1"> <thead> <tr> <th rowspan="2">DIM.</th> <th colspan="2">CASE DIAMETER</th> </tr> <tr> <th>100</th> <th>160</th> </tr> </thead> <tbody> <tr> <td>A</td> <td>101.5</td> <td>162</td> </tr> <tr> <td>B</td> <td>80</td> <td>80</td> </tr> <tr> <td>C</td> <td>11</td> <td>11</td> </tr> <tr> <td>D</td> <td>132</td> <td>196</td> </tr> <tr> <td>E</td> <td>89</td> <td>119</td> </tr> <tr> <td>F</td> <td>3,5</td> <td>3</td> </tr> <tr> <td>G</td> <td>13</td> <td>15,5</td> </tr> <tr> <td>H</td> <td>4,5</td> <td>6</td> </tr> <tr> <td>P</td> <td>116</td> <td>178</td> </tr> <tr> <td>T*</td> <td>20</td> <td>20</td> </tr> </tbody> </table> <p>□ standard connection 1/2"BSP or 1/2"NPT</p>	DIM.	CASE DIAMETER		100	160	A	101.5	162	B	80	80	C	11	11	D	132	196	E	89	119	F	3,5	3	G	13	15,5	H	4,5	6	P	116	178	T*	20	20
DIM.	CASE DIAMETER																																				
	100	160																																			
A	101.5	162																																			
B	80	80																																			
C	11	11																																			
D	132	196																																			
E	89	119																																			
F	3,5	3																																			
G	13	15,5																																			
H	4,5	6																																			
P	116	178																																			
T*	20	20																																			
<p>Y</p> <p>PDDxxxXY</p> <p>pipe size: Ø44 - Ø70 mm</p>		<table border="1"> <thead> <tr> <th rowspan="2">DIM.</th> <th colspan="2">CASE DIAMETER</th> </tr> <tr> <th>100</th> <th>160</th> </tr> </thead> <tbody> <tr> <td>A</td> <td>101.5</td> <td>162</td> </tr> <tr> <td>B</td> <td>122□</td> <td>122□</td> </tr> <tr> <td>C</td> <td>53</td> <td>53</td> </tr> <tr> <td>E</td> <td>89</td> <td>119</td> </tr> <tr> <td>T*</td> <td>20</td> <td>20</td> </tr> </tbody> </table> <p>□ standard connection 1/2"BSP or 1/2"NPT</p> <p>□ dimensions for 2" pipe size</p> <p>bracket for horizontal or vertical pipe mounting</p>	DIM.	CASE DIAMETER		100	160	A	101.5	162	B	122□	122□	C	53	53	E	89	119	T*	20	20															
DIM.	CASE DIAMETER																																				
	100	160																																			
A	101.5	162																																			
B	122□	122□																																			
C	53	53																																			
E	89	119																																			
T*	20	20																																			

OPTIONS ON DIFFERENTIAL PRESSURE GAUGES

TYPE	CASE DIMENSIONS (in mm)	EXTRA COSTS								
		CONNECTIONS							CASE & BEZEL	
		1/8" BSP/NPT max. 400 bar	1/4" BSP/NPT max. 1000 bar	1/2" BSP max. 1600 bar, 1/2" NPT max. 1000 bar	3/8" BSP/NPT max. 1000 bar	M20x1.5 max. 1600 bar	M16x1.5 H.P. female max. 7000 bar**	9/16" UNF x 18 H.P. female max. 7000 bar**	AISI316 / 1.4401 *	BACK / FRONT FLANGE AISI316/1.4401*
PCD	100			•				×	×	
	160			•				×	×	
POD	100			•				×	×	×
	160			•				×	×	×

TYPE	CASE DIMENSIONS (in mm)	WINDOW MATERIAL			BLOW- OUT		POINTERS				MEASURING SYSTEM				
		PMMA - FLEXIGLASS	SECURIT	LAMINATED SAFETY GLASS	DISC	PLUG * (LIQUID FILLED)	ADJUSTABLE	INDEX POINTER ON GLASS	DRAG POINTER		DRAG POINTER in combination with HZ contact	OIL & GREASE FREE	MONEL WETTED PARTS	PULSATION DAMPER AISI316 1.4401	OVERLOAD 2x F.S. other on demand
									Single	Double					
PCD	100	×		×	×	×		×	×	×	×	×	×		see page 46
	160	×		×	×	×		×	×	×	×	×	×		
PDD	100				•	•				×		×	×		×
	160				•	•				×		×	×		×
POD	100				•	•				×	×	×	×		×
	160				•	•				×	×	×	×		×

× NOT AVAILABLE
 • STANDARD
 ○ ON DEMAND
 * Not possible in combinations with contacts or transmitters
 ** Not available with pulsation damper

NESSTECH INC. INTERNATIONAL SALES DEPARTMENT

1-12-1 Akanehama, Narashino-shi, Chiba
275-0024, JAPAN

PHONE +81-47-453-1182
F A X +81-47-453-0727

■ NESSTECH INSTRUMENTS PVT. LTD (INDIA)

Survey No. 26/2, "G" Type, Global Industrial Park,
Near Nahuli Railway crossing, Village Valvada, Vapi,
Tal Umbergaon, Dist Valsad-396191, Gujrat
TEL: +91-260-299-6920

■ NESS TECHNOLOGY (M) SDN BHD (MALAYSIA)

No. 42A Jalan PUJ 3/8, Taman Puncak Jalil, Bandar Putra Permai,
43300 Seri Kembangan, Selangor
TEL: +603-8940-1134/8940-1059 FAX: +603-8999-4133