

STANDARD MODEL

Features : capsule system
for clean air and dry gasses
case under static pressure

Liquid filling and contact devices with PCD not possible

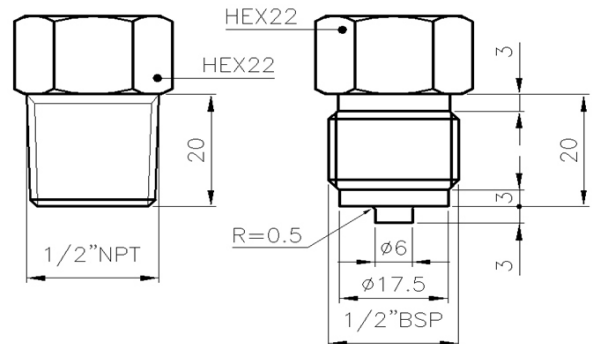
Wetted parts: capsule AISI316Ti/1.4571
st. steel; viton; NBR; macrolon
nickel plated brass movement in measuring chamber

Applications : flow measurement
heating and ventilation
filter applications
general industry
oil and gas industry
for clean air and dry gases only



Example: PCD100XK

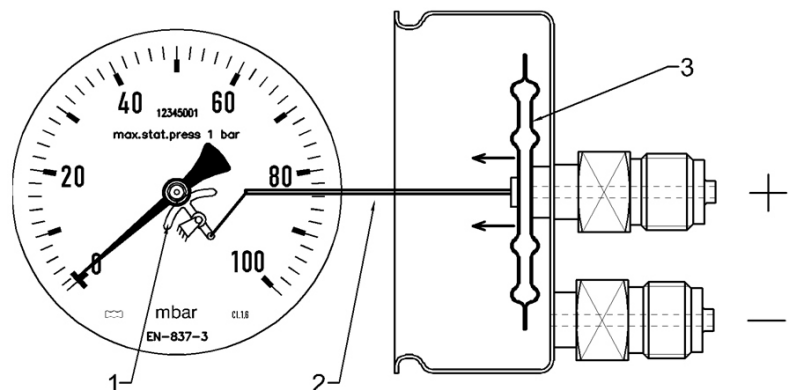
Type	Range	Max. stat. pressure
PCD100xx	0 - 25 mbar upto 0 - 400 mbar	1.5 bar
PCD160xx	0 - 6 mbar upto 0 - 400 mbar	1 bar



Standard connections

Options : other connections
swivel adapters
manifolds
special dials

1 pointer mechanism
2 connecting rod
3 sensing element (capsule)

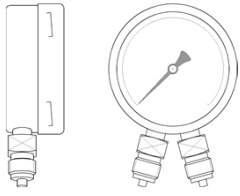
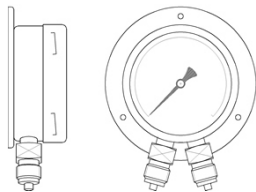
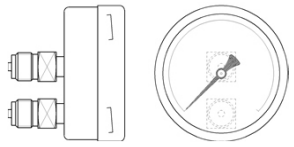
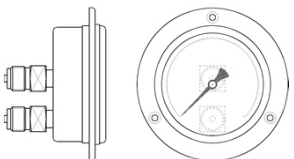
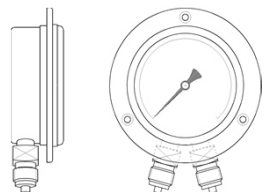
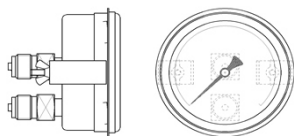
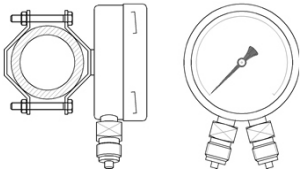


operating principle

STANDARD MODEL

CASE : Bayonet lock, AISI304/1.4301,
 WINDOW : Macrolon 8 mm
 DIAL : Aluminium, black figures on white
 POINTER : Aluminium, black

CONNECTION : 2 X 1/2" BSP or 1/2" NPT, AISI 316L/1.4404
 MOVEMENT : Nickel plated bras
 ACCURACY : $\pm 1.6\%$ of F.S / Class 1.6
 OPTIONS : See last page for other options.

TYPE	MODEL	CASE DIAMETER (\varnothing in mm)	
		100	160
K		PCD100XK	PCD160XK
L		PCD100XL	PCD160XL
M		PCD100XM	PCD160XM
N		PCD100XN	PCD160XN
O		PCD100XO	PCD160XO
H		PCD100XH	PCD160XH
Y 2"Yoke vert or hor	 pipe $\varnothing 44\text{mm} - \varnothing 70\text{ mm}$	PCD100XY	PCD160XY
OPTION		EXTRA COSTS	
OVERRANGE PROTECTION	UPTO 10 TIMES FULL SCALE maximum 2.0 bar		
NOTES:		Contact devices / liquid filling not possible with PCD	

TYPE	DRAWING	DIMENSIONS mm																																
<p>K</p> <p>PCDxxxXK</p>		<table border="1"> <thead> <tr> <th rowspan="2">DIM.</th> <th colspan="2">CASE DIAMETER</th> </tr> <tr> <th>100</th> <th>160</th> </tr> </thead> <tbody> <tr> <td>A</td> <td>101.5</td> <td>162</td> </tr> <tr> <td>B</td> <td>51</td> <td>49</td> </tr> <tr> <td>C</td> <td>13</td> <td>13</td> </tr> <tr> <td>E</td> <td>90</td> <td>120</td> </tr> <tr> <td>T*</td> <td>20</td> <td>20</td> </tr> </tbody> </table> <p>*Standard connection 1/2"BSP or 1/2"NPT</p>	DIM.	CASE DIAMETER		100	160	A	101.5	162	B	51	49	C	13	13	E	90	120	T*	20	20												
DIM.	CASE DIAMETER																																	
	100	160																																
A	101.5	162																																
B	51	49																																
C	13	13																																
E	90	120																																
T*	20	20																																
<p>L</p> <p>PCDxxxXL</p>		<table border="1"> <thead> <tr> <th rowspan="2">DIM.</th> <th colspan="2">CASE DIAMETER</th> </tr> <tr> <th>100</th> <th>160</th> </tr> </thead> <tbody> <tr> <td>A</td> <td>101.5</td> <td>162</td> </tr> <tr> <td>B</td> <td>54</td> <td>52</td> </tr> <tr> <td>C</td> <td>16</td> <td>15</td> </tr> <tr> <td>D</td> <td>132</td> <td>196</td> </tr> <tr> <td>E</td> <td>90</td> <td>120</td> </tr> <tr> <td>P</td> <td>116</td> <td>178</td> </tr> <tr> <td>H</td> <td>4,5</td> <td>6</td> </tr> <tr> <td>T*</td> <td>20</td> <td>20</td> </tr> </tbody> </table> <p>*Standard connection 1/2"BSP or 1/2"NPT</p>	DIM.	CASE DIAMETER		100	160	A	101.5	162	B	54	52	C	16	15	D	132	196	E	90	120	P	116	178	H	4,5	6	T*	20	20			
DIM.	CASE DIAMETER																																	
	100	160																																
A	101.5	162																																
B	54	52																																
C	16	15																																
D	132	196																																
E	90	120																																
P	116	178																																
H	4,5	6																																
T*	20	20																																
<p>M</p> <p>PCDxxxXM</p>		<table border="1"> <thead> <tr> <th rowspan="2">DIM.</th> <th colspan="2">CASE DIAMETER</th> </tr> <tr> <th>100</th> <th>160</th> </tr> </thead> <tbody> <tr> <td>A</td> <td>101.5</td> <td>162</td> </tr> <tr> <td>B</td> <td>51</td> <td>49</td> </tr> <tr> <td>E</td> <td>90</td> <td>88</td> </tr> <tr> <td>T*</td> <td>20</td> <td>20</td> </tr> </tbody> </table> <p>*Standard connection 1/2"BSP or 1/2"NPT</p>	DIM.	CASE DIAMETER		100	160	A	101.5	162	B	51	49	E	90	88	T*	20	20															
DIM.	CASE DIAMETER																																	
	100	160																																
A	101.5	162																																
B	51	49																																
E	90	88																																
T*	20	20																																
<p>N</p> <p>PCDxxxXN</p>		<table border="1"> <thead> <tr> <th rowspan="2">DIM.</th> <th colspan="2">CASE DIAMETER</th> </tr> <tr> <th>100</th> <th>160</th> </tr> </thead> <tbody> <tr> <td>A</td> <td>101.5</td> <td>162</td> </tr> <tr> <td>B</td> <td>51</td> <td>49</td> </tr> <tr> <td>D</td> <td>132</td> <td>196</td> </tr> <tr> <td>E</td> <td>90</td> <td>88</td> </tr> <tr> <td>F</td> <td>3,5</td> <td>3</td> </tr> <tr> <td>G</td> <td>13</td> <td>15,5</td> </tr> <tr> <td>H</td> <td>4,5</td> <td>6</td> </tr> <tr> <td>P</td> <td>116</td> <td>178</td> </tr> <tr> <td>T*</td> <td>20</td> <td>20</td> </tr> </tbody> </table> <p>*Standard connection 1/2"BSP or 1/2"NPT</p>	DIM.	CASE DIAMETER		100	160	A	101.5	162	B	51	49	D	132	196	E	90	88	F	3,5	3	G	13	15,5	H	4,5	6	P	116	178	T*	20	20
DIM.	CASE DIAMETER																																	
	100	160																																
A	101.5	162																																
B	51	49																																
D	132	196																																
E	90	88																																
F	3,5	3																																
G	13	15,5																																
H	4,5	6																																
P	116	178																																
T*	20	20																																

TYPE	DRAWING	DIMENSIONS mm																																			
<p style="text-align: center;">O</p> <p>PCDxxxXO</p>		<table border="1"> <thead> <tr> <th rowspan="2">DIM.</th> <th colspan="2">CASE DIAMETER</th> </tr> <tr> <th>100</th> <th>160</th> </tr> </thead> <tbody> <tr><td>A</td><td>101.5</td><td>162</td></tr> <tr><td>B</td><td>51</td><td>49</td></tr> <tr><td>C</td><td>13</td><td>13</td></tr> <tr><td>D</td><td>132</td><td>196</td></tr> <tr><td>E</td><td>90</td><td>120</td></tr> <tr><td>F</td><td>3,5</td><td>3</td></tr> <tr><td>G</td><td>13</td><td>15,5</td></tr> <tr><td>H</td><td>4,5</td><td>6</td></tr> <tr><td>P</td><td>116</td><td>178</td></tr> <tr><td>T*</td><td>20</td><td>20</td></tr> </tbody> </table> <p> standard connection 1/2"BSP or 1/2"NPT</p>	DIM.	CASE DIAMETER		100	160	A	101.5	162	B	51	49	C	13	13	D	132	196	E	90	120	F	3,5	3	G	13	15,5	H	4,5	6	P	116	178	T*	20	20
DIM.	CASE DIAMETER																																				
	100	160																																			
A	101.5	162																																			
B	51	49																																			
C	13	13																																			
D	132	196																																			
E	90	120																																			
F	3,5	3																																			
G	13	15,5																																			
H	4,5	6																																			
P	116	178																																			
T*	20	20																																			
<p style="text-align: center;">H</p> <p>PCDxxxXH</p>		<table border="1"> <thead> <tr> <th rowspan="2">DIM.</th> <th colspan="2">CASE DIAMETER</th> </tr> <tr> <th>100</th> <th>160</th> </tr> </thead> <tbody> <tr><td>A</td><td>101.5</td><td>162</td></tr> <tr><td>B</td><td>51</td><td>49</td></tr> <tr><td>D</td><td>110</td><td>180</td></tr> <tr><td>E</td><td>90</td><td>88</td></tr> <tr><td>F</td><td>3,5</td><td>3</td></tr> <tr><td>G</td><td>10,5</td><td>9</td></tr> <tr><td>T*</td><td>20</td><td>20</td></tr> </tbody> </table> <p> standard connection 1/2"BSP or 1/2"NPT</p>	DIM.	CASE DIAMETER		100	160	A	101.5	162	B	51	49	D	110	180	E	90	88	F	3,5	3	G	10,5	9	T*	20	20									
DIM.	CASE DIAMETER																																				
	100	160																																			
A	101.5	162																																			
B	51	49																																			
D	110	180																																			
E	90	88																																			
F	3,5	3																																			
G	10,5	9																																			
T*	20	20																																			
<p style="text-align: center;">Y</p> <p>PCDxxxXY</p> <p>pipe size: Ø44 - Ø70 mm</p>		<table border="1"> <thead> <tr> <th rowspan="2">DIM.</th> <th colspan="2">CASE DIAMETER</th> </tr> <tr> <th>100</th> <th>160</th> </tr> </thead> <tbody> <tr><td>A</td><td>101.5</td><td>162</td></tr> <tr><td>B</td><td>94 </td><td>92 </td></tr> <tr><td>C</td><td>56</td><td>56</td></tr> <tr><td>E</td><td>90</td><td>88</td></tr> <tr><td>T*</td><td>20</td><td>20</td></tr> </tbody> </table> <p> standard connection 1/2"BSP or 1/2"NPT dimensions for 2" pipe size</p> <p>bracket for horizontal or vertical pipe mounting</p>	DIM.	CASE DIAMETER		100	160	A	101.5	162	B	94	92	C	56	56	E	90	88	T*	20	20															
DIM.	CASE DIAMETER																																				
	100	160																																			
A	101.5	162																																			
B	94	92																																			
C	56	56																																			
E	90	88																																			
T*	20	20																																			

OPTIONS ON DIFFERENTIAL PRESSURE GAUGES

TYPE	CASE DIMENSIONS (in mm)	EXTRA COSTS								
		CONNECTIONS							CASE & BEZEL	
		1/8" BSP/NPT max. 400 bar	1/4" BSP/NPT max. 1000 bar	1/2" BSP max. 1600 bar, 1/2" NPT max. 1000 bar	3/8" BSP/NPT max. 1000 bar	M20x1.5 max. 1600 bar	M16x1.5 H.P. female max. 7000 bar**	9/16" UNF x 18 H.P. female max. 7000 bar**	AISI316 / 1.4401 *	BACK / FRONT FLANGE AISI316/1.4401*
PCD	100			•			×	×		
	160			•			×	×		
POD	100			•			×	×	×	×
	160			•			×	×	×	×

TYPE	CASE DIMENSIONS (in mm)	WINDOW MATERIAL			BLOW- OUT		POINTERS				MEASURING SYSTEM				
		PMMA - FLEXIGLASS	SECURIT	LAMINATED SAFETY GLASS	DISC	PLUG * (LIQUID FILLED)	ADJUSTABLE	INDEX POINTER ON GLASS	DRAG POINTER		DRAG POINTER in combination with HZ contact	OIL & GREASE FREE	MONEL WETTED PARTS	PULSATION DAMPER AISI316 1.4401	OVERLOAD 2x F.S. other on demand
										Single	Double				
PCD	100	×		×	×	×		×	×	×	×	×	×		see page 46
	160	×		×	×	×		×	×	×	×	×	×		
PDD	100				•	•				×		×	×		×
	160				•	•				×		×	×		×
POD	100				•	•				×	×	×	×		×
	160				•	•				×	×	×	×		×

× NOT AVAILABLE
 • STANDARD
 ○ ON DEMAND
 * Not possible in combinations with contacts or transmitters
 ** Not available with pulsation damper

NESSTECH INC.

INTERNATIONAL SALES DEPARTMENT

1-12-1 Akanehama, Narashino-shi, Chiba
275-0024, JAPAN

PHONE +81-47-453-1182
F A X +81-47-453-0727

■ NESSTECH INSTRUMENTS PVT. LTD (INDIA)

Survey No. 26/2, "G" Type, Global Industrial Park,
Near Nahuli Railway crossing, Village Valvada, Vapi,
Tal Umbergaon, Dist Valsad-396191, Gujrat
TEL: +91-260-299-6920

■ NESS TECHNOLOGY (M) SDN BHD (MALAYSIA)

No. 42A Jalan PUJ 3/8, Taman Puncak Jalil, Bandar Putra Permai,
43300 Seri Kembangan, Selangor
TEL: +603-8940-1134/8940-1059 FAX: +603-8999-4133