

Special Features :

- Laser welded flush diaphragm.
- Quick connect / disconnect for easy cleaning.
- Suitable for food, dairy & pharmaceuticals Industries

Applications :

- Diaphragm seals are provided in the instruments like pressure gauges, switches, transmitters in order to isolate the sensing element from the main service due to its corrosive, viscous and sedimented nature and to avoid clogging and solidification. these seals are used in hygienic applications where purity is Essential - typically in food, dairy beverages and pharmaceuticals Industries.



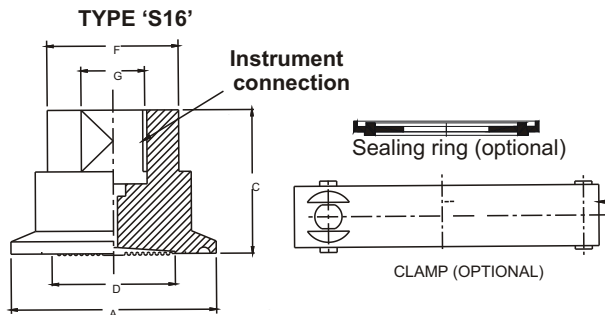
Specifications

STANDARD VERSION

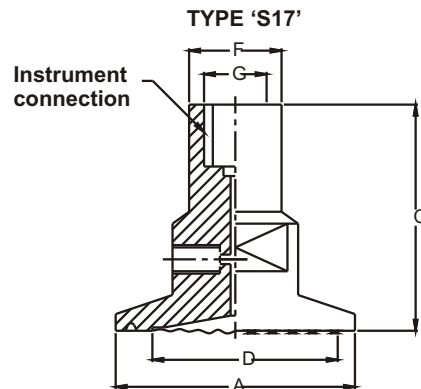
Range	: S16 = -1 to 0 kg/cm ² & 0 to 40 kg/cm ² (Standard Version) (Suitable for dial size 100mm & above)
	: S17 = -1 to 0 kg/cm ² & 0 to 40 kg/cm ² (Dry seal only) (Suitable for dial size 63mm & 80 mm)
Process temperature	: 10°C to 150°C or as per fill fluid
Instruments connection	: S16 : ½" BSP (F) / S17 : ¼" BSP (F)
Process connection	: ½" Sanitary Seal (Without clamp & Gasket)
Mounting	: Direct (without capillary)

Diaphragm	: AISI 316L SS
Body	: AISI 316 SS
Filling Fluid	: Glycerine

DIMENSIONS



Size	A	C	D	F	G
1"	50.50	35	22	29.5	½" BSP (F)
1½"	50.50	35	32	38.5	½" BSP (F)
2"	64	35	40	51.5	½" BSP (F)
2½"	77.5	35	52	64	½" BSP (F)



Size	A	C	D	F	G
1.5"	50.5	48	32	19.50	¼" BSP (F)
2"	64	48	40	19.50	¼" BSP (F)
2.5"	77.5	48	52	19.50	¼" BSP (F)

SELECTION OF MODEL

(1) MODEL CODE

(2) SEAL TYPE

-1 to 0 & 0 to 40 Kg/Cm ² (Standard)	S16
-1 to 0 & 0 to 40 Kg/Cm ² (Dry Seal Only)	S17

(3) SANITARY SEAL

1" Sanitary Seal in AISI 316 SS	S1.0	2 ½" Sanitary Seal in AISI 316 SS	S2.0
1 ½" Sanitary Seal in AISI 316 SS	S1.5	2 ½" Sanitary Seal in AISI 316 SS	S2.5

(4) INSTRUMENT CONNECTION (* For Dry Seal Type: S17)

1/4" NPT(F)	2NF	1/2" NPT(F)	4NF
1/4" BSP(F) (STD)*	2BF	1/2" BSP(F) (STD)	4BF
3/8" BSP (F)	3BF		

(5) BODY

AISI 316 SS (STD)	S6
AISI 316L SS	S6L

(6) BOTTOM MATING PART

1" Sanitary Seal in AISI 316 SS	M1.0	2 ½" Sanitary Seal in AISI 316 SS	M2.0
1 ½" Sanitary Seal in AISI 316 SS	M1.5	2 ½" Sanitary Seal in AISI 316 SS	M2.5

(7) END CONNECTION OF BOTTOM MATING PART

Pipe ½"Sch. 40 (Plain End)	EC1
Pipe ¾"Sch. 40 (Plain End)	EC2

Note: Threaded connections are available on request. Please consult factory.

(8) FILLING FLUIDS

Glycerine (10 to 150°C) (STD)	01
Food Grade Oil (-20 to 140°C)	02
Liquid Paraffin (10 to 200°C)	03

(9) CLAMP

1" Clamp in AISI 304 SS	C1.0	2 ½" Clamp in AISI 304 SS	C2.0
1 ½" Clamp in AISI 304 SS	C1.5	2 ½" Clamp in AISI 304 SS	C2.5

(10) GASKET

1" Silicon Gasket	GS1.0	1" PTFE Gasket	GP1.0
1 ½" Silicon Gasket	GS1.5	1 ½" PTFE Gasket	GP1.5
2 ½" Silicon Gasket	GS2.0	2 ½" PTFE Gasket	GP2.0
2 ½" Silicon Gasket	GS2.5	2 ½" PTFE Gasket	GP2.5

(11) REMOTE MOUNTING(with capillary of Max. Up to 2 Mtrs.)

SPECIFY IN METERS (e.g.1.5 =1.5 Meters 2.0 = 2 Meters)

(12) CAPILLARY

AISI 304 SS	S4
AISI 316 SS	S6

(13) CAPILLARY COVERED WITH ARMOUR (Applicable with S4 or S6 is selected)

AISI 304 SS	S4
AISI 316 SS	S6
PVC(ambient Temp. Max. 60° C)	PC

CSH

S6L

1.5

4BF

S6

M1.5

EC1

01

C1.5

GP1.5

1.5 Mtr

S4

S4

SELECTION OF MODEL

(14) OPTIONS

HELIUM LEAK TEST	HT
DRY SEAL ONLY WITHOUT INSTRUMENT	SD
MATERIAL TEST CERTIFICATES	MC

Example	1	2	3	4	5	6	7	8	9
SELECTION OF MODEL	CSH	S16	S1.5	XX	S6	M1.5	Ec1	01	C1.5

Example	10	11	12	13	14
SELECTION OF MODEL	GP1.5	1.5 Mtr	S4	S4	XX

Note: Material Test Certificates will be provided for wetted parts only with Chemical Composition Testing. For Others, Consult Factory.

XX

NESSTECH INC.

INTERNATIONAL SALES DEPARTMENT

1-12-1 Akanehama, Narashino-shi, Chiba
275-0024, JAPAN

PHONE +81-47-453-1182
F A X +81-47-453-0727

NESSTECH INSTRUMENTS PVT. LTD (INDIA)

Survey No. 26/2, "G" Type, Global Industrial Park,
Near Nahuli Railwaycrossing, Village Valvada, Vapi,
Tal Umbergaon, Dist Valsad-396191, Gujrat
TEL: +91-260-299-6920

NESS TECHNOLOGY (M) SDN BHD (MALAYSIA)

No. 42A Jalan PUJ 3/8, Taman Puncak Jalil, Bandar Putra Permai,
43300 Seri Kembangan, Selangor
TEL: +603-8940-1134/8940-1059 FAX: +603-8999-4133