

Special Features :

- All AISI 316 SS Construction
- Economical
- Light Weight
- Ideal Choice for High Pressure
- The Diaphragm is welded to the body to ensure separation of the filling fluid from the process medium.

Applications :

- Diaphragm seals are provided in the instruments like pressure gauges, switches, transmitters in order to isolate the sensing element from the main service due to its corrosive, viscous and sedimented nature and to avoid clogging and solidification.



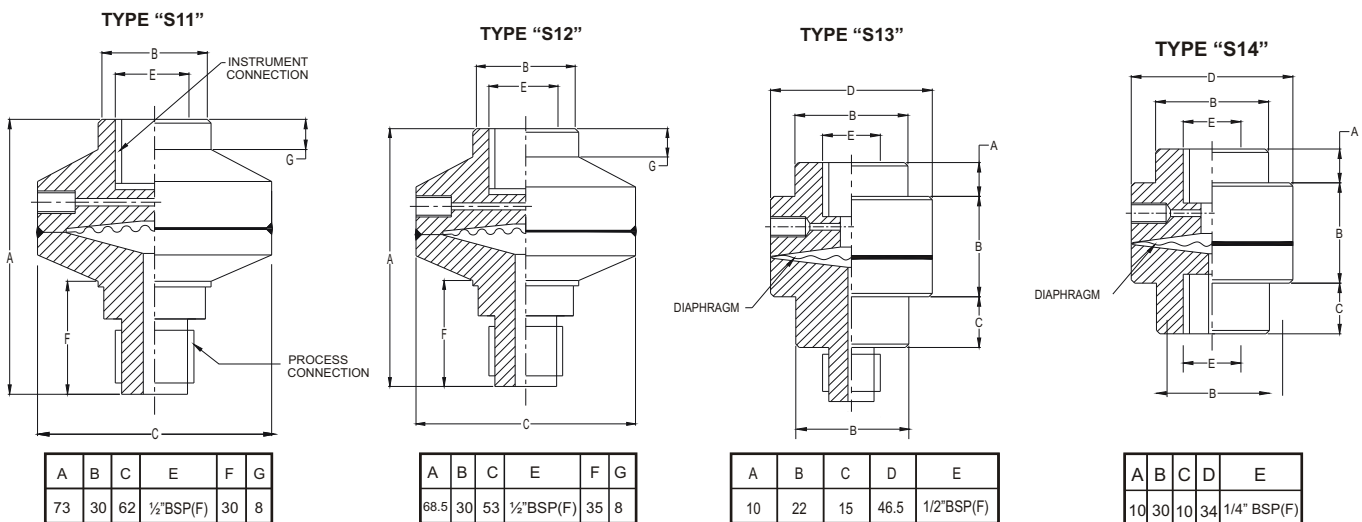
Specifications

STANDARD VERSION

Range	: S11 = -1 to 0 kg/cm ² & 0 to 4 kg/cm ² (Standard Version)
	: S12 = 6 kg/cm ² to 70 kg/cm ²
	: S13 = 100 kg/cm ² & 400 kg/cm ²
	: S14 = 250 kg/cm ² & 600 kg/cm ²
Process temperature	: -40°C to 200°C or as per fill fluid
Instruments connection	: ½" BSP (F) / S14 : ¼" BSP (F)
Process connection	: ½" BSP (M) / S14 : ¼" BSP (MF)
Mounting	: Direct (without capillary)

Diaphragm	: AISI 316L SS
Body	: AISI 316 SS
Filling Fluid	: Silicon Oil - DC 200

DIMENSIONS



Notes : • Drawings are not to scale. • All Dimensions are in mm.

SELECTION OF MODEL

(1) MODEL CODE

CSG

(2) SEAL TYPE

S11

-1 to 0 & 0 to 40 Kg/Cm ² (Standard)	S11
6 kg/cm ² to 70 kg/cm ²	S12
100 kg/cm ² to 400 kg/cm ²	S13
250 kg/cm ² to 600 kg/cm ²	S14

(3) INSTRUMENT CONNECTION (* For Dry Seal Type: S14)

4BF

1/4" NPT(F)	2NF	1/2" NPT(F)	4NF
1/4" BSP(F) (STD)*	2BF	1/2" BSP(F) (STD)	4BF
3/8" BSP (F)	2BF		

(4) TOP CHAMBER

S6

AISI 316 SS (STD)	S6
AISI 316L SS	S6L
AISI 304 SS	S4

(5) BOTTOM CHAMBER

S6

AISI 316 SS (STD)	S6
AISI 316L SS	S6L
Hastelloy 'C'	HC
Monel	MN

(6) PROCESS CONNECTION (* For Dry Seal Type: S14)

4BM

1/4" NPT(F)	2NF	1/2" NPT(F)	4NF
1/4" BSP(F) (STD)*	2BF	1/2" BSP(F) (STD)	4BF
3/8" BSP (F)	3BF	1/2" NPT(M)	4NM
3/8" BSP (M)	3BM	1/2" BSP(M)	4BM

Note : Other Connections like Metric / PT / PF / Flaired / UNF / G / R etc can be provided on request.

(7) FILLING FLUIDS

05

Fluorolube 4.2 (-45 to 175°C)	01	Silicon DC 704 (10 to 337°)	06
Fluorolube 6.3 (-40 to 235°C)	02	Silicon DC 710 (7 to 3717°)	07
Fluorolube FS-5 (-28 to 148°C)	03	Syltherm 800 (-40 to 315°C)	08
Food Grade Oil (-20 to 140°C)	04	Syltherm XLT (-100 to 260°C)	09
Silicon DC 200 (-40 to 2050°C)	05	Halocarbon Oil	10

(8) REMOTE MOUNTING(with capillary of Max. Up to 2 Mtrs.)

1.5 Mtr

SPECIFY IN METERS (e.g.1.5 =1.5 Meters 2.0 = 2 Meters)

(9) CAPILLARY

S6

AISI 304 SS	S4
AISI 316 SS	S6

(10) CAPILLARY COVERED WITH ARMOUR (Applicable with S4 or S6 if selected)

S4

AISI 304 SS	S4
AISI 316 SS	S6
PVC(ambient Temp. Max. 60° C)	PC

SELECTION OF MODEL

(11) OPTIONS

HELIUM LEAK TEST	HT
DRY SEAL ONLY WITHOUT INSTRUMENT	SD
MATERIAL TEST CERTIFICATES	MC

Example	1	2	3	4	5	6	7	8	9
SELECTION OF MODEL	CSG	S11	4BF	S6	S6	4BF	05	1.5 Mtr	S6

Example	10	11
SELECTION OF MODEL	S4	XX

Note: Material Test Certificates will be provided for wetted parts only with Chemical Composition Testing. For Others, Consult Factory.

XX

NESSTECH INC. INTERNATIONAL SALES DEPARTMENT

1-12-1 Akanehama, Narashino-shi, Chiba
275-0024, JAPAN

PHONE +81-47-453-1182
F A X +81-47-453-0727

■ NESSTECH INSTRUMENTS PVT. LTD (INDIA)

Survey No. 26/2, "G" Type, Global Industrial Park,
Near Nahuli Railwaycrossing, Village Valvada, Vapi,
Tal Umbergaon, Dist Valsad-396191, Gujrat
TEL: +91-260-299-6920

■ NESS TECHNOLOGY (M) SDN BHD (MALAYSIA)

No. 42A Jalan PUJ 3/8, Taman Puncak Jalil, Bandar Putra Permai,
43300 Seri Kembangan, Selangor
TEL: +603-8940-1134/8940-1059 FAX: +603-8999-4133