



SNUBBER (PULSATION DAMPENER)

ADJUSTABLE NEEDLE TYPE

Model - SN

This device can increase the service life of Pressure Instruments in critical conditions found at reciprocating Pumps, Hydraulic Machines, Compressors, Process Plants, Clean Air, Gases & Non Crystallized liquids.

Special Features :

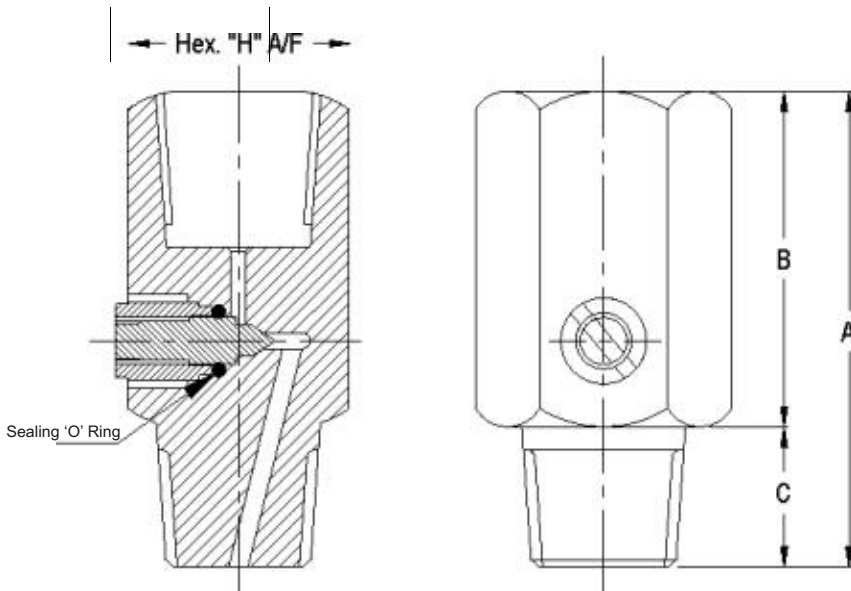
- Design to reduce Dampening effect of Pressure Fluid
- Working Pressure up to 6000 PSI
- Working Temperature up to 120 °C
- All Stainless Steel Construction for Corrosive Environment & Media

Specifications

Working Pressure	: Up to 6000 PSI
Working Temperature	: -20 °C to +120°C
Instrument Connection	: ½" NPT (F)
Process Connection	: ½" NPT (M)
Body Material	: AISI 316 SS
Sealing 'O' Ring (Internal)	: Viton



DIMENSIONS : - FOR STANDARD VERSION



Connections	A	B	ØC	Hex. "H" A/F
1/4" (MxF)	55	40	15	25.0
3/8" (MxF)	55	39	16	25.0
1/2" (MxF)	63	43	20	28.0

Notes : • Drawings are not to scale. • All Dimensions are in mm.

SELECTION OF MODEL

(1) MODEL CODE

(2) BODY

AISI 304 SS	S4
AISI 316 SS	S6
AISI 316L SS	S6L

MONEL	MN
HASTELLY C	HT

(3) CONNECTION SIZE

1/4" BSP (MxF)	2BM.2BF
1/4" BSPT (MxF)	2TM.2TF
1/4" NPT (MxF)	2NM.2NF

3/8" BSP (MxF)	3BM.3BF
3/8" BSPT (MxF)	3TM.3TF
3/8" NPT (MxF)	3NM.3NF

1/2" BSP (MxF)	4BM.4BF
1/2" BSPT (MxF)	4TM.4TF
1/2" NPT (MxF)	4NM.4NF
M20x1.5 (MxF)	4MM.4MF

Note :- Other Options Will Be Provided on Request. Consult Factory for more Details.

(4) OPTIONS

OS OXYGEN SERVICE	MC MATERIAL TEST CERTIFICATE
--------------------------	-------------------------------------

Example	1	2	3	4
SELECTION OF MODEL	SN	S6	4NM.4NF	XX

SN

S6

4NM.4NF

XX

NESSTECH INC.

INTERNATIONAL SALES DEPARTMENT

1-12-1 Akanehama, Narashino-shi, Chiba
275-0024, JAPAN

PHONE +81-47-453-1182

F A X +81-47-453-0727

■ NESSTECH INSTRUMENTS PVT. LTD (INDIA)

Survey No. 26/2, "G" Type, Global Industrial Park,
Near Nahuli Railwaycrossing, Village Valvada, Vapi,
Tal Umbergaon, Dist Valsad-396191, Gujrat

TEL: +91-260-299-6920

■ NESS TECHNOLOGY (M) SDN BHD (MALAYSIA)

No. 42A Jalan PUJ 3/8, Taman Puncak Jalil, Bandar Putra Permai,
43300 Seri Kembangan, Selangor

TEL: +603-8940-1134/8940-1059 FAX: +603-8999-4133