

Special Features :

- Air Vent Hole for Drain
- Working Temperature Up to 180°C
- Working Pressure Up to 100 Kg/Cm²
- Bakelite Cover on Operating Lever (Handle)

Applications :

- Hydraulic Machines
- Compressors
- Process Plants
- Clean Air
- Gases
- Non Crystallized Liquids



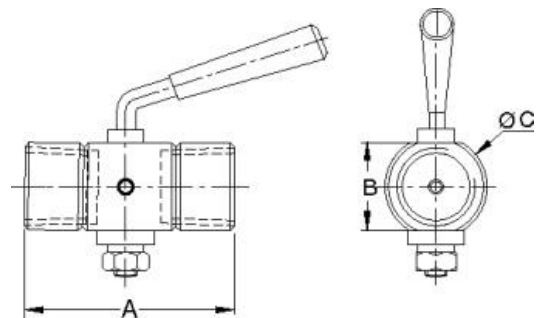
Specifications

Body Material	: AISI 316 SS
Handle	: AISI 304 SS with Backlite Cover
Working Pressure	: 100 Kg/Cm ²
Working Temperature	: Up to 180°C
Gasket Seal	: PTFE
Connection	: ½" BSP (FxF) For 2 - Way
	: ½" BSP (MxFxF) For 3 - Way

DIMENSIONS : - FOR STANDARD VERSION

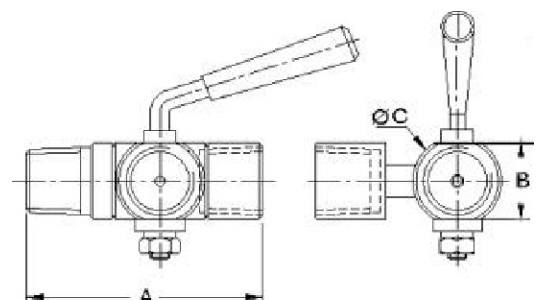
2 - Way

Size	A			B	ØC
	FxF	MxF	MxM		
1/4"	50	55	60	19	22
3/8"	55	60	65	25	28
1/2"	60	65	70	25	28



3 - Way

Size	A	B	ØC
	FxF		
1/4"	70	19	22
3/8"	75	25	28
1/2"	80	25	28



Notes : All Dimensions are in mm.

SELECTION OF MODEL

(1) MODEL CODE

(2) TYPE

2 - Way	2W
3 - Way	3W

(3) BODY

AISI 304 SS	S4
AISI 316 SS	S6

(4) 2 WAY - SIZE & END CONNECTION (INLET X OUTLET)

1/4" BSP (MxF)	2BM.2BF	1/4" BSP (MxM)	2BM.2BM	1/4" BSP (FxF)	2BF.2BF
1/4" NPT (MxF)	2NM.2NF	1/4" NPT (MxM)	2NM.2NM	1/4" NPT (FxF)	2NF.2NF
3/8" BSP (MxF)	3BM.3BF	3/8" BSP (MxM)	3BM.3BM	3/8" BSP (FxF)	3BF.3BF
3/8" NPT (MxF)	3NM.3NF	3/8" NPT (MxM)	3NM.3NM	3/8" NPT (FxF)	3NF.3NF
1/2" BSP (MxF)	4BM.4BF	1/2" BSP (MxM)	4BM.4BM	1/2" BSP (FxF)	4BF.4BF
1/2" NPT (MxF)	4NM.4NF	1/2" NPT (MxM)	4NM.4NM	1/2" NPT (FxF)	4NF.4NF

OR

(4) 3 WAY - SIZE & END CONNECTION (INLET X OUTLET X OUTLET)

1/4" BSP (MxFxF)	2BM.2BF.2BF
1/4" NPT (MxFxF)	2NM.2NF.2NF
3/8" BSP (MxFxF)	3BM.3BF.3BF
3/8" NPT (MxFxF)	3NM.3NF.3NF
1/2" BSP (MxFxF)	4BM.4BF.4BF
1/2" NPT (MxFxF)	4NM.4NF.4NF

(5) OPTIONS

OS OXYGEN SERVICE	MC MATERIAL TEST CERTIFICATE
HP THREADED HEX PLUG FOR VENT HOLE	TF TESTED TO NACE STANDARDS

Example	1	2	3	4	5
SELECTION OF MODEL	GC	2W	S6	2BF.2BF	XX

GC

2W

S6

2BF.2BF

XX.XX.XX

XX

NESSTECH INC.

INTERNATIONAL SALES DEPARTMENT

1-12-1 Akanehama, Narashino-shi, Chiba
275-0024, JAPAN

PHONE +81-47-453-1182
F A X +81-47-453-0727

■ NESSTECH INSTRUMENTS PVT. LTD (INDIA)

Survey No. 26/2, "G" Type, Global Industrial Park,
Near Nahuli Railwaycrossing, Village Valvada, Vapi,
Tal Umbergaon, Dist Valsad-396191, Gujrat
TEL: +91-260-299-6920

■ NESS TECHNOLOGY (M) SDN BHD (MALAYSIA)

No. 42A Jalan PUJ 3/8, Taman Puncak Jalil, Bandar Putra Permai,
43300 Seri Kembangan, Selangor
TEL: +603-8940-1134/8940-1059 FAX: +603-8999-4133